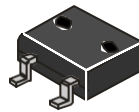
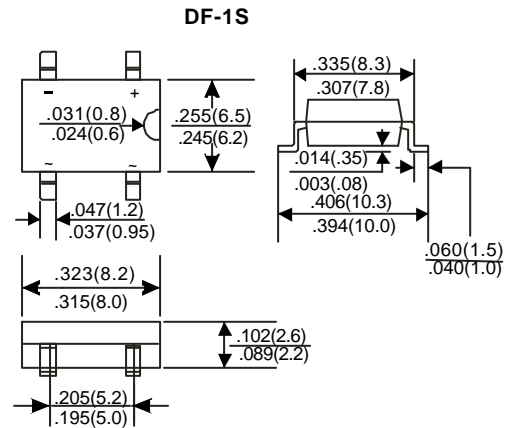


SINGLE PHASE 1.0AMP SURFACE MOUNT BRIDGE RECTIFIERS

Features:

- *Ideal for printed circuit board
- *Reliable low cost construction utilizing molded plastic technique
- *High surge current capability
- *Polarity: marked on body
- *Mounting position: Any
- *Weight: 1.0 grams
- *Both normal and Pb free product are available:
- *Normal: 80~95% Sn, 5~20% Pb
- *Pb free: 99 Sn above can meet Rohs environment substance directive request



MAXIMUM RATINGS AND ELECTRICAL CHARACTERISTICS

Rating at 25°C ambient temperature unless otherwise specified.
 Single phase half wave, 60Hz, resistive or inductive load.
 For capacitive load, derate current by 20%.

TYPE NUMBER	DF005S	DF01S	D02S	DF04S	DF06S	DF08S	DF10S	UNITS	
Maximum Recurrent Peak Reverse Voltage	50	100	200	400	600	800	1000	V	
Maximum RMS Voltage	35	70	140	280	420	560	700	V	
Maximum DC Blocking Voltage	50	100	200	400	600	800	1000	V	
Maximum Average Forward Rectified Current .375" (9.5mm) Lead Length at Ta=40°C								1.0	A
Peak Forward Surge Current, 8.3ms single half sine-wave superimposed on rated load (JEDEC method)								50	A
Maximum Forward Voltage Dropper Bridge Element at 1.0 A D.C.								1.0	V
Maximum DC Reverse Current at Rated DC Blocking Voltage								5	µA
								500	µA
Operating Temperature Range, Tj								-65 — +150	°C
Storage Temperature Range, TSTG								-65 — +150	°C

RATING AND CHARACTERISTIC CURVES (DF005S THRU DF10S)

FIG.1-TYPICAL FORWARD CURRENT DERATING CURVE

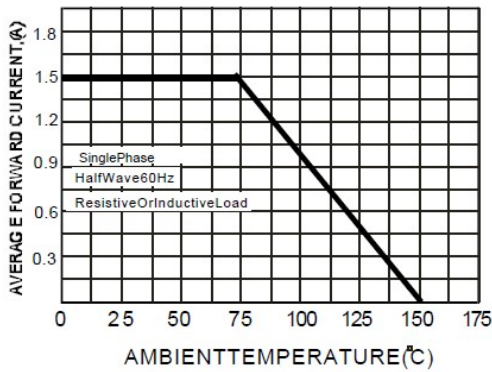


FIG.2-MAXIMUM NON-REPETITIVE FORWARD SURGE CURRENT

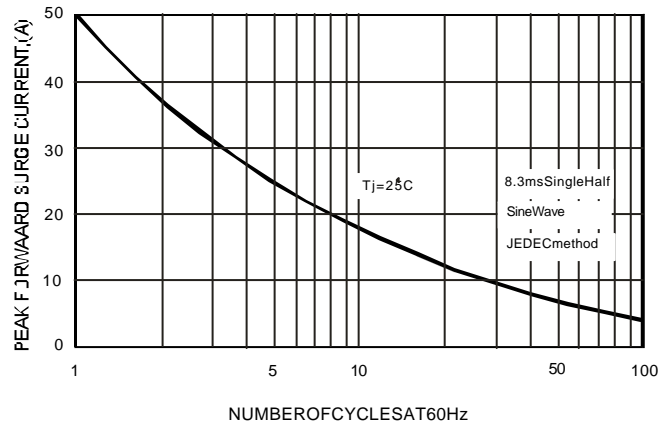


FIG.3-TYPICAL FORWARD CHARACTERISTICS

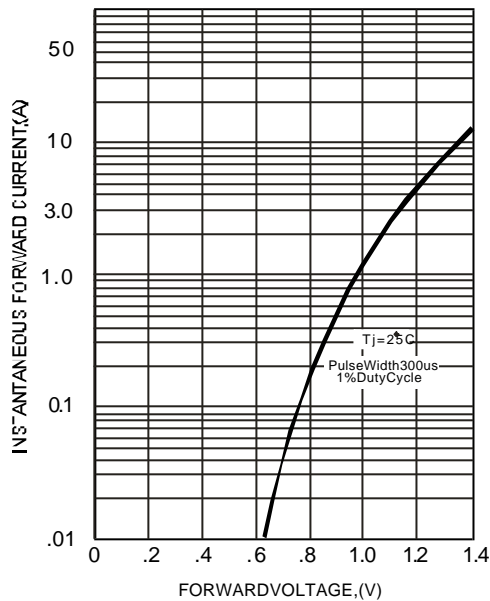


FIG.4-TYPICAL REVERSE CHARACTERISTICS

