

Axial Zener Diodes Zener

Voltage 3.3 ~ 350 V

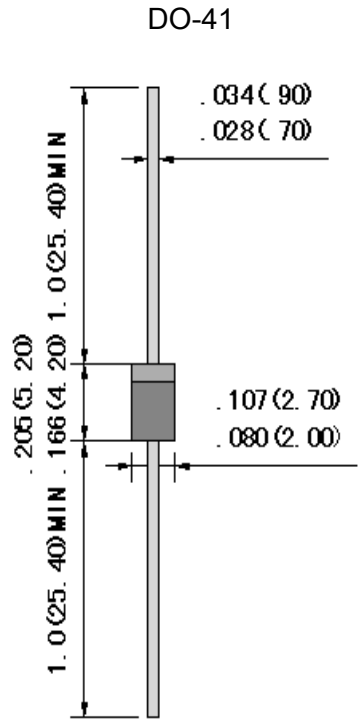
1.0 Watt Power Dissipation

Features

- Glass passivated chip
- Built-in strain relief
- Low inductance
- High peak reverse power dissipation
- Low reverse leakage
- For use in stabilizing and clipping with high power rating
- RoHS compliant

Mechanical Data

- Case: DO-41 Molded plastic
- Lead: Solderable per MIL-STD-750, method 2026
- Epoxy: UL 94V-0 rate flame retardant
- Polarity: Color band denotes cathode end
- Mounting position: Any



Unit: inch(mm)

Parameter	Symbols	Value	Unit
DC Power dissipation at TL = 75 °C ⁽¹⁾	P _D	1.0	W
Maximum forward voltage at if=0.2A	V _F	1.2	V
Junction temperature range	T _J , T _{STG}	-55 to +150	°C
Storage temperature range	T _J , T _{STG}	-55 to +150	°C

Note :

(1) T_L=Lead temperature at 3/8" (9.5mm)from body

Ratings and Characteristics Curves ($T_A=25^\circ\text{C}$ unless otherwise noted)

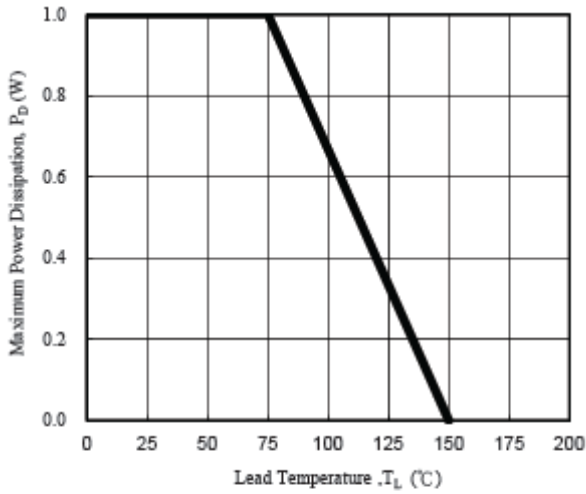


Fig. 1 - Power Temperature Derating Curve

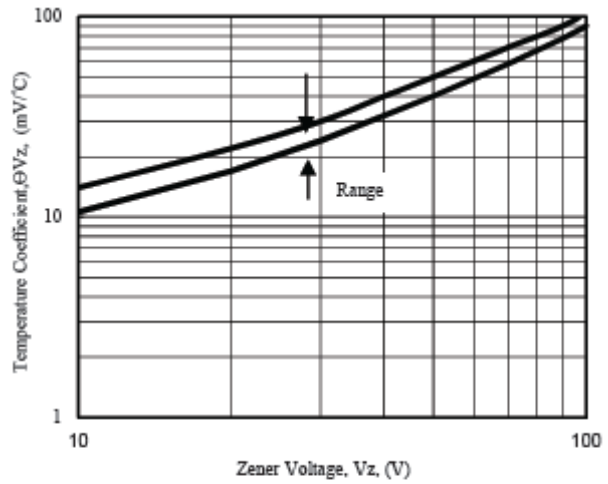


Fig. 2 - Temperature Coefficients v.s. Zener Voltage

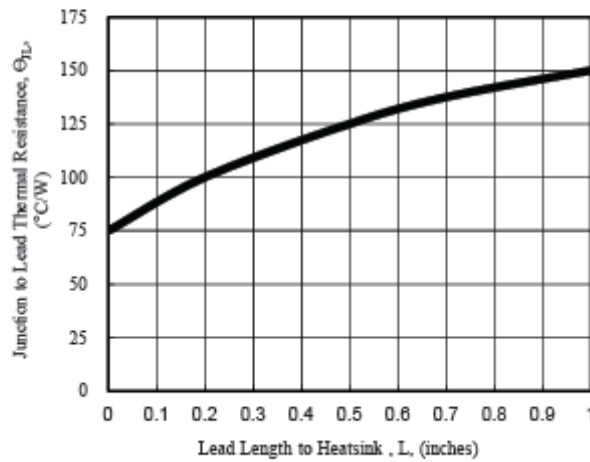


Fig. 3 - Typical Thermal Resistance v.s. Lead Length

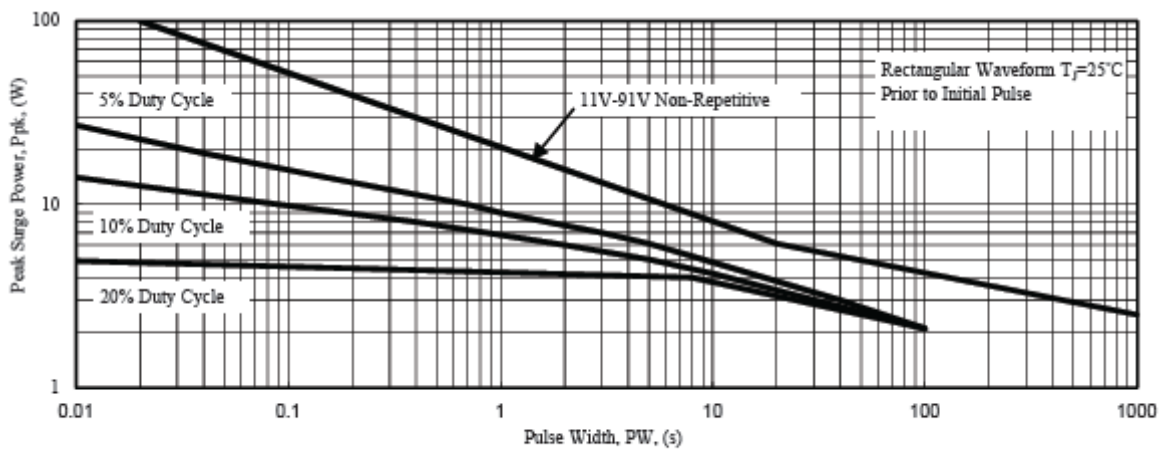


Fig. 4 - Maximum Surge Power



Part Number	Nominal Zener Voltage @I _T			I _{ZT} (mA)	Maximum Zener Impedance			Maximum Reverse Leakage Current		Maximum DC Zener Current
	V _{Z AVE.} (V)	V _{Z MIN.} (V)	V _{Z MAX.} (V)		Z _{ZT MAX.} (Ω) @I _{ZT}	Z _{ZK MAX.} (Ω) @I _{ZK}	I _{ZK} (mA)	I _R (uA)@V _R	V _R (V)	
1N4728A	3.3	3.14	3.47	76.0	10.0	400	1.00	100.0	1.0	274.0
1N4729A	3.6	3.42	3.78	69.0	10.0	400	1.00	100.0	1.0	251.0
1N4730A	3.9	3.71	4.10	64.0	9.0	400	1.00	50.0	1.0	232.0
1N4731A	4.3	4.09	4.52	58.0	9.0	400	1.00	10.0	1.0	210.0
1N4732A	4.7	4.47	4.94	53.0	8.0	500	1.00	10.0	1.0	192.0
1N4733A	5.1	4.85	5.36	49.0	7.0	550	1.00	10.0	1.0	177.0
1N4734A	5.6	5.32	5.88	45.0	5.0	600	1.00	10.0	2.0	161.0
1N4735A	6.2	5.89	6.51	41.0	2.0	700	1.00	10.0	3.0	146.0
1N4736A	6.8	6.46	7.14	37.0	3.5	700	1.00	10.0	4.0	133.0
1N4737A	7.5	7.13	7.88	34.0	4.0	700	0.50	10.0	5.0	121.0
1N4738A	8.2	7.79	8.61	31.0	4.5	700	0.50	10.0	6.0	110.0
1N4739A	9.1	8.65	9.56	28.0	5.0	700	0.50	10.0	7.0	100.0
1N4740A	10.0	9.50	10.50	25.0	7.0	700	0.25	10.0	7.6	91.0
1N4741A	11.0	10.45	11.55	23.0	8.0	700	0.25	0.5	8.4	83.0
1N4742A	12.0	11.40	12.60	21.0	9.0	700	0.25	0.5	9.1	76.0
1N4743A	13.0	12.35	13.65	19.0	10.0	700	0.25	0.5	9.9	69.0
1N4744A	15.0	14.25	15.75	17.0	14.0	700	0.25	0.5	11.4	61.0
1N4745A	16.0	15.20	16.80	15.5	16.0	700	0.25	0.5	12.2	57.0
1N4746A	18.0	17.10	18.90	14.0	20.0	750	0.25	0.5	13.7	50.0
1N4747A	20.0	19.00	21.00	12.5	22.0	750	0.25	0.5	15.2	45.0
1N4748A	22.0	20.90	23.10	11.5	23.0	750	0.25	0.5	16.7	41.0
1N4749A	24.0	22.80	25.20	10.5	25.0	750	0.25	0.5	18.2	38.0
1N4750A	27.0	25.65	28.35	9.5	35.0	750	0.25	0.5	20.6	34.0
1N4751A	30.0	28.50	31.50	8.5	40.0	1000	0.25	0.5	22.8	30.0
1N4752A	33.0	31.35	34.65	7.5	45.0	1000	0.25	0.5	25.1	27.0
1N4753A	36.0	34.20	37.80	7.0	50.0	1000	0.25	0.5	27.4	25.0
1N4754A	39.0	37.05	40.95	6.5	60.0	1000	0.25	0.5	29.7	23.0
1N4755A	43.0	40.85	45.15	6.0	70.0	1500	0.25	0.5	32.7	22.0
1N4756A	47.0	44.65	49.35	5.5	80.0	1500	0.25	0.5	35.8	19.0
1N4757A	51.0	48.45	53.55	5.0	95.0	1500	0.25	0.5	38.8	18.0
1N4758A	56.0	53.20	58.80	4.5	110	2000	0.25	0.5	42.6	16.0
1N4759A	62.0	58.90	65.10	4.0	125	2000	0.25	0.5	47.1	14.0
1N4760A	68.0	64.60	71.40	3.7	150	2000	0.25	0.5	51.7	13.0
1N4761A	75.0	71.25	78.75	3.3	175	2000	0.25	0.5	56.0	12.0
1N4762A	82.0	77.90	86.10	3.0	200	3000	0.25	0.5	62.2	11.0
1N4763A	91.0	86.45	95.55	2.8	250	3000	0.25	0.5	69.2	10.0
1N4764A	100.0	95.0	105.0	2.5	350	3000	0.25	0.5	76.0	9.0
1N4765A	110.0	104.5	115.5	2.3	450	4000	0.25	0.5	83.6	8.6
1N4766A	120.0	114.0	126.0	2.0	550	4500	0.25	0.5	91.2	7.8
1N4767A	130.0	123.5	136.5	1.90	900	5000	0.25	0.5	98.8	7.0
1N4768A	150.0	142.5	157.5	1.70	1100	5000	0.25	0.5	114.0	6.4
1N4769A	160.0	152.0	168.0	1.60	1300	5000	0.25	0.5	121.6	5.8
1N4770A	180.0	171.0	189.0	1.40	1500	7000	0.25	0.5	136.8	5.2
1N4771A	200.0	190.0	210.0	1.20	2000	8000	0.25	0.5	152.0	4.7
1N4772A	220.0	209.0	231.0	1.00	2500	9000	0.25	0.5	167.2	4.0
1N4773A	250.0	237.5	262.5	0.90	3000	9000	0.25	0.5	190.0	3.6
1N4774A	300.0	285.0	315.0	0.80	3500	9500	0.25	0.5	228.0	3.0
1N4775A	330.0	313.5	346.5	0.75	4500	9500	0.25	0.5	245.0	2.7
1N4776A	350.0	332.5	367.5	0.70	5000	9500	0.25	0.5	275.0	2.5