

SILICON ZENER DIODES

Features:

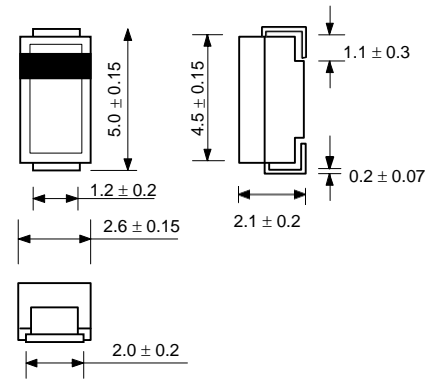
- * Complete Voltage Range 3.3 to 200 Volts
- * High peak reverse power dissipation
- * High reliability
- * Low leakage current

V_Z : 3.3 - 240 Volts
 P_D : 3.0 Watts

SMA (DO-214AC)

Mechanical Data:

- * Case : SMA (DO-214AC) Moulded plastic
- * Epoxy : UL94V-O rate flame retardant
- * Lead : Lead formed for Surface mount
- * Polarity : Color band denotes cathode end
- * Mounting position : Any
- * Weight : 0.078 gram



Dimensions in millimeter

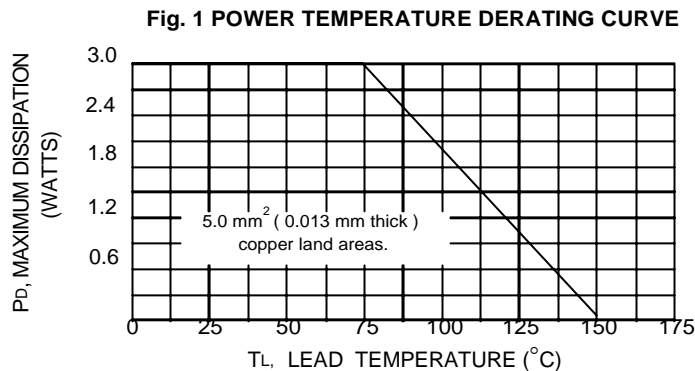
MAXIMUM RATINGS

Rating at 25 °C ambient temperature unless otherwise specified

Rating	Symbol	Value	Unit
DC Power Dissipation at $T_L = 75\text{ °C}$ (Note1)	P_D	3.0	Watts
Maximum Forward Voltage at $I_F = 200\text{ mA}$	V_F	1.5	Volts
Junction Temperature Range	T_J	- 55 to + 150	°C
Storage Temperature Range	T_S	- 55 to + 150	°C

Note :

(1) T_L = Lead temperature at 5.0 mm^2 (0.013 mm thick) copper land areas.



ELECTRICAL CHARACTERISTICS

Rating at = 25 °C ambient temperature unless otherwise specified

TYPE	Nominal Zener Voltage		Maximum Zener Impedance			Maximum Reverse Leakage Current		Maximum DC Zener Current
	V _Z @ I _{ZT}	I _{ZT}	Z _{ZT} @ I _{ZT}	Z _{ZK} @ I _{ZK}	I _{ZK}	I _R @ V _R	I _{ZM}	
	(V)	(mA)	(Ω)	(Ω)	(mA)	(μA)	(V)	(mA)
3SMA5913B	3.3	113.6	10	500	1.0	100	1.0	454
3SMA5914B	3.6	104.2	9.0	500	1.0	75	1.0	416
3SMA5915B	3.9	96.1	7.5	500	1.0	25	1.0	384
3SMA5916B	4.3	87.2	6.0	500	1.0	5.0	1.0	348
3SMA5917B	4.7	79.8	5.0	500	1.0	5.0	1.5	319
3SMA5918B	5.1	73.5	4.0	500	1.0	5.0	2.0	294
3SMA5919B	5.6	66.9	2.0	250	1.0	5.0	3.0	267
3SMA5920B	6.2	60.5	2.0	200	1.0	5.0	4.0	241
3SMA5921B	6.8	55.1	2.5	200	1.0	50	5.2	220
3SMA5922B	7.5	50.0	3.0	400	0.5	50	6.0	200
3SMA5923B	8.2	45.7	3.5	400	0.5	50	6.5	182
3SMA5924B	9.1	41.2	4.0	500	0.5	50	7.0	164
3SMA5925B	10	37.5	4.5	500	0.25	50	8.0	150
3SMA5926B	11	34.1	5.5	550	0.25	50	8.4	136
3SMA5927B	12	31.2	6.5	550	0.25	1.0	9.1	125
3SMA5928B	13	28.8	7.0	550	0.25	1.0	9.9	115
3SMA5929B	15	25.0	9.0	600	0.25	1.0	11.4	100
3SMA5930B	16	23.4	10	600	0.25	1.0	12.2	93
3SMA5931B	18	20.8	12	650	0.25	1.0	13.7	83
3SMA5932B	20	18.7	14	650	0.25	1.0	15.2	75
3SMA5933B	22	17.0	17.5	650	0.25	1.0	16.7	68
3SMA5934B	24	15.6	19	700	0.25	1.0	18.2	62
3SMA5935B	27	13.9	23	700	0.25	1.0	20.6	55
3SMA5936B	30	12.5	26	750	0.25	1.0	22.8	50
3SMA5937B	33	11.4	33	800	0.25	1.0	25.1	45
3SMA5938B	36	10.4	38	850	0.25	1.0	27.4	41
3SMA5939B	39	9.6	45	900	0.25	1.0	29.7	38
3SMA5940B	43	8.7	53	950	0.25	1.0	32.7	34
3SMA5941B	47	8.0	67	1000	0.25	1.0	35.8	31
3SMA5942B	51	7.3	70	1100	0.25	1.0	38.8	29
3SMA5943B	56	6.7	86	1300	0.25	1.0	42.6	26
3SMA5944B	62	6.0	100	1500	0.25	1.0	47.1	24
3SMA5945B	68	5.5	120	1700	0.25	1.0	51.7	22
3SMA5946B	75	5.0	140	2000	0.25	1.0	56.0	20
3SMA5947B	82	4.6	160	2500	0.25	1.0	62.2	18
3SMA5948B	91	4.1	200	3000	0.25	1.0	69.2	16
3SMA5949B	100	3.7	250	3100	0.25	1.0	76.0	15
3SMA5950B	110	3.4	300	4000	0.25	1.0	83.6	13
3SMA5951B	120	3.1	380	4500	0.25	1.0	91.2	12
3SMA5952B	130	2.9	450	5000	0.25	1.0	98.8	11
3SMA5953B	150	2.5	600	6000	0.25	1.0	114.0	10
3SMA5954B	160	2.3	700	6500	0.25	1.0	121.6	9.0
3SMA5955B	180	2.1	900	7000	0.25	1.0	136.8	8.0
3SMA5956B	200	1.9	1200	8000	0.25	1.0	152.0	7.0
3SMA5957B	240	1.5	1600	9000	0.25	1.0	182.4	6.0

Note :

(1) Suffix " A " indicates ± 10% tolerance, suffix " B " indicates ± 5.0% tolerance.