

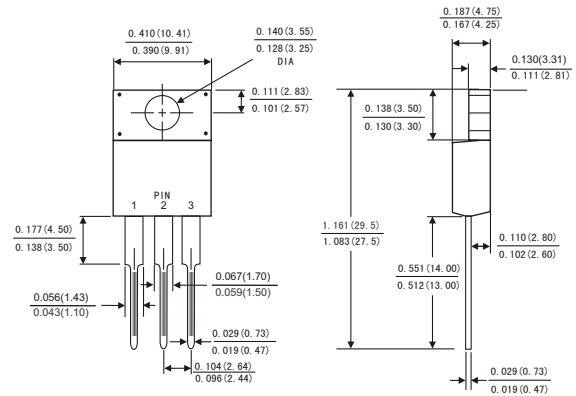
SCHOTTKY BARRIER RECTIFIER

Features:

- Plastic package has Underwriters Laboratory Flammability Classification 94V-0
- Metal silicon junction ,majority carrier conduction
- Guard ring for overvoltage protection
- Low power loss ,high efficiency
- High current capability ,Low forward voltage drop
- Single rectifier construction
- High surge capability
- For use in low voltage ,high frequency inverters, free wheeling ,and polarity protection applications
- High temperature soldering guaranteed:260°C/10 seconds, 0.25"(6.35mm)from case
- Component=in=accordance=to=RoHS=2002L95L.EC=and= WEEE=2002L96L.EC



ITO-220AB



Dimensions in inches and (millimeters)

Mechanical Data:

- Case: JEDEC ITO-220AB molded plastic body
- Terminals: Lead solderable per MIL-STD-750,method 2026
- Polarity: As marked
- Mounting Position: Any
- Weight: 0.08ounce, 2.24 gram

MAXIMUM RATINGS AND ELECTRICAL CHARACTERISTICS

(Ratings at 25 C ambient temperature unless otherwise specified ,Single phase ,half wave ,resistive or inductive load. For capacitive load,derate by 20%.)

	Symbols	KSRF 3020CT	KSRF 3030CT	KSRF 3040CT	KSRF 3045CT	KSRF 3060CT	KSRF 3080CT	KSRF 30100CT	KSRF 30150CT	KSRF 30200CT	Units
Maximum repetitive peak reverse voltage	V_{RRM}	20	30	40	45	60	80	100	150	200	Volts
Maximum RMS voltage	V_{RMS}	14	21	28	32	42	56	70	105	140	Volts
Maximum DC blocking voltage	V_{DC}	20	30	40	45	60	80	100	150	200	Volts
Maximum average forward rectified current(see Fig.1)	$I(AV)$	Per leg									Amps
		Total device									
Peak forward surge current 8.3ms single half sine-wave superimposed on rated load (JEDEC method)	I_{FSM}	15.0 30.0									Amps
Maximum instantaneous forward voltage at 30.0 A	V_F	0.55			0.75	0.85	0.95			Volts	
Maximum instantaneous reverse current at rated DC blocking voltage(Note 1)	I_R	$T_c=25^\circ C$									mA
		30			50						
Typical thermal resistance (Note 2)	$R_{\theta JC}$	3.0									$^\circ C/W$
Operating junction temperature range	T_J	-65 to+150									$^\circ C$
Storage temperature range	T_{STG}	-65 to+150									$^\circ C$

Notes: 1.Pulse test: 300 μs pulse width,1% duty cycle

2.Thermal resistance from junction to case

FIG.1-FORWARD CURRENT DERATING CURVE

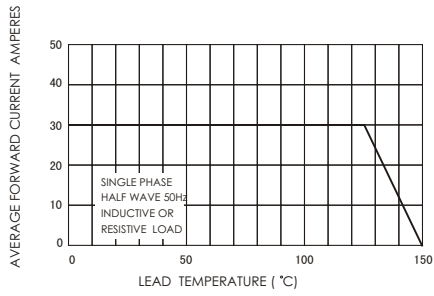


FIG.2-MAXIMUM NON-REPETITIVE PEAK FORWARD SURGE CURRENT PER DIODE

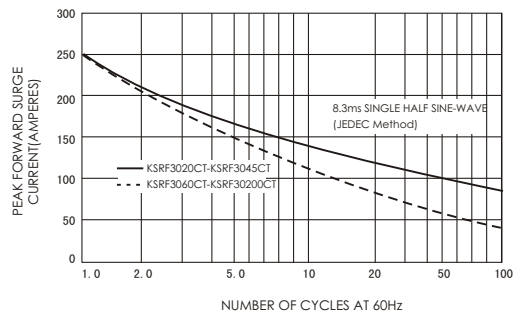


FIG.3-TYPICAL INSTANTANEOUS FORWARD CHARACTERISTICS

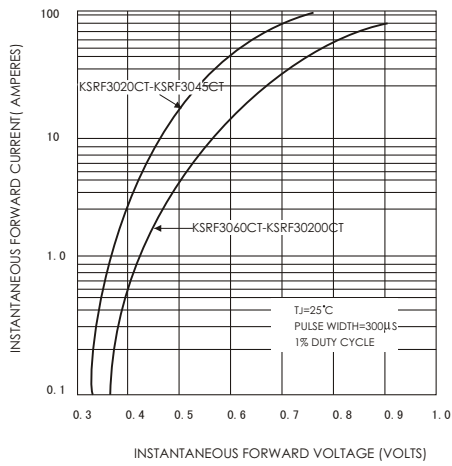
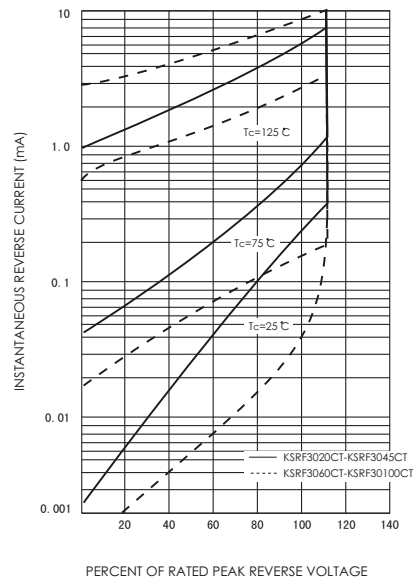
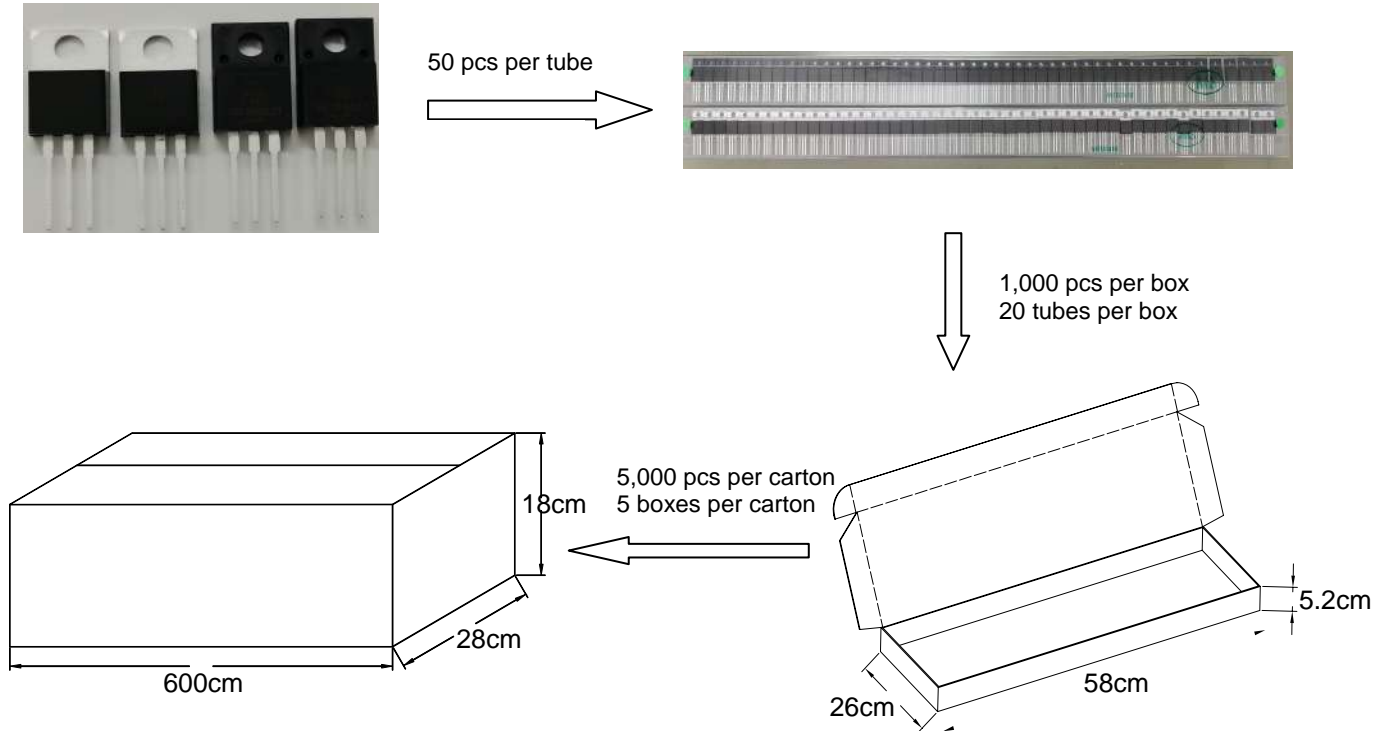


FIG.4-TYPICAL REVERSE CHARACTERISTICS

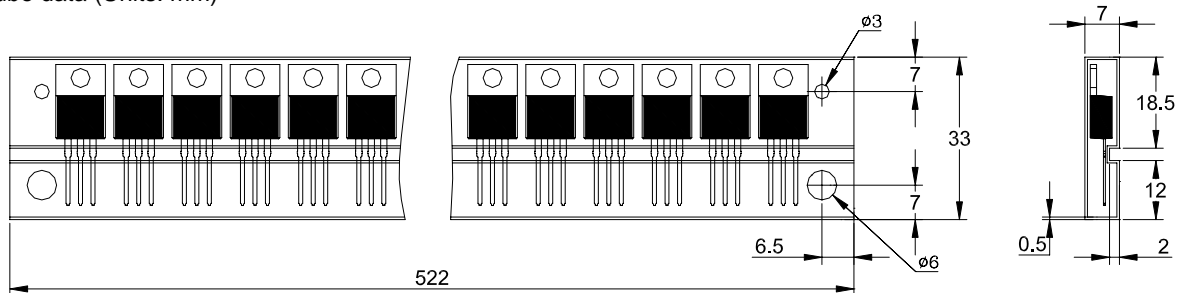


Packaging Specifications of Tube Pack for TO-220AB and ITO-220AB

1. The method of packaging and dimension are shown as below figure. (Dimension in mm)



2. Tube data (Units: mm)



Storage

1 It is recommended to store the products in the following conditions:

Humidity: 75% R.H. Max.

Temperature : 0°C ~35°C (32°F ~95°F)

2 Shelf life : 12 month at < 0°C ~35°C (32°F ~95°F) and <75% R.H.