

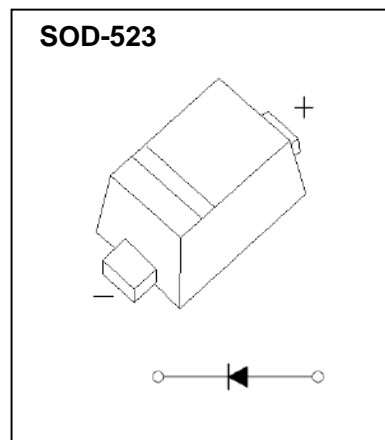
## SOD-523 Plastic-Encapsulate Diodes

Schottky Barrier Diode

### Features:

- Small surface mounting type
- Low  $I_R$
- High reliability

SOD-523



MARKING: D1

### Maximum Ratings and Electrical Characteristics, Single Diode @ $T_A=25^\circ\text{C}$

Parameter	Symbol	Limit	Unit
DC reverse voltage	$V_R$	40	V
Mean rectifying current	$I_0$	0.2	A
Peak forward surge current	$I_{FSM}$	1	A
Power Dissipation	$P_D$	150	mW
Thermal resistance from junction to ambient	$R_{\theta JA}$	667	$^\circ\text{C}/\text{W}$
Junction temperature	$T_J$	125	$^\circ\text{C}$
Storage temperature	$T_{STG}$	-55~+150	

### Electrical Ratings @ $T_A=25^\circ\text{C}$

Parameter	Symbol	Min	Typ	Max	Unit	Conditions
Forward voltage	$V_F$		0.304	0.39	V	$I_F=10\text{mA}$
			0.446	0.55		$I_F=100\text{mA}$
Reverse current	$I_R$		0.605	1	$\mu\text{A}$	$V_R=10\text{V}$
			2.837	10		$V_R=40\text{V}$

**Typical Characteristics**

