

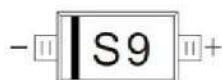
SOT-523 Plastic-Encapsulate Diodes

SCHOTTKY BARRIER DIODE

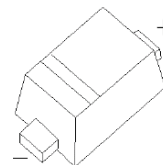
Features:

- High breakdown voltage
- Low turn-on voltage
- Guard ring construction for transient protection

MARKING: S9



SOD-523



Maximum Ratings @ $T_a=25^{\circ}\text{C}$

Parameter	Symbol	Limit	Unit
Peak repetitive peak reverse voltage	V_{RRM}	100	V
Working peak reverse voltage	V_{RWM}		
Forward continuous current	I_F	150	mA
Repetitive peak forward current (Note 1) @ $t_p < 1.0\text{s}$, Duty Cycle $< 50\%$	I_{FRM}	350	mA
Non-repetitive Peak Forward surge current @ $t = 8.3\text{ms}$	I_{FSM}	750	mA
Power dissipation	P_D	150	mW
Thermal resistance junction to ambient air	$R_{\theta JA}$	667	$^{\circ}\text{C}/\text{W}$
Operating Junction Temperature Range	T_j	-40 ~ +125	$^{\circ}\text{C}$
Storage Temperature Range	T_{STG}	-55 ~ +150	$^{\circ}\text{C}$

ELECTRICAL CHARACTERISTICS ($T_a=25^{\circ}\text{C}$ unless otherwise specified)

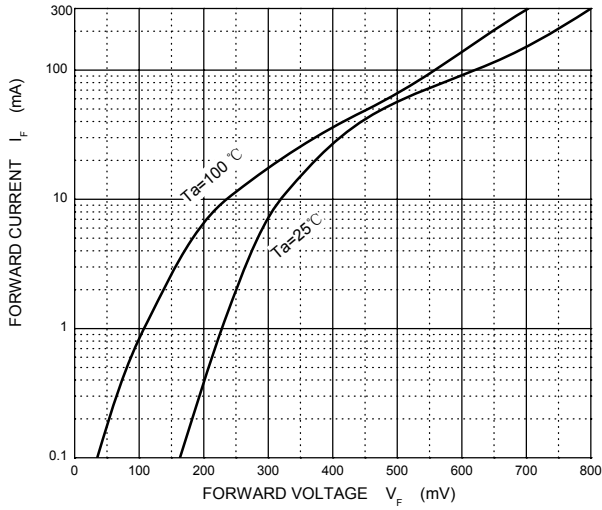
Parameter	Symbol	Test Conditions	Min	Typ	Max	Unit
Reverse breakdown voltage(Note 2)	V_R	$I_R=100\mu\text{A}$	100			V
Reverse voltage leakage current	I_R	$V_{R1}=1.5\text{V}$			0.3	μA
		$V_{R2}=10\text{V}$			0.5	
		$V_{R3}=50\text{V}$			1	
		$V_{R4}=75\text{V}$			2	
Forward voltage(Note 2)	V_F	$I_{F1}=0.1\text{mA}$			0.25	V
		$I_{F2}=10\text{mA}$			0.45	
		$I_{F3}=250\text{mA}$			1	
Diode capacitance	C_T	$V_R=0, f=1\text{MHz}$		20		pF
		$V_R=1\text{V}, f=1\text{MHz}$		12		

Notes: 1. Part mounted on FR-4 board with recommended pad layout.

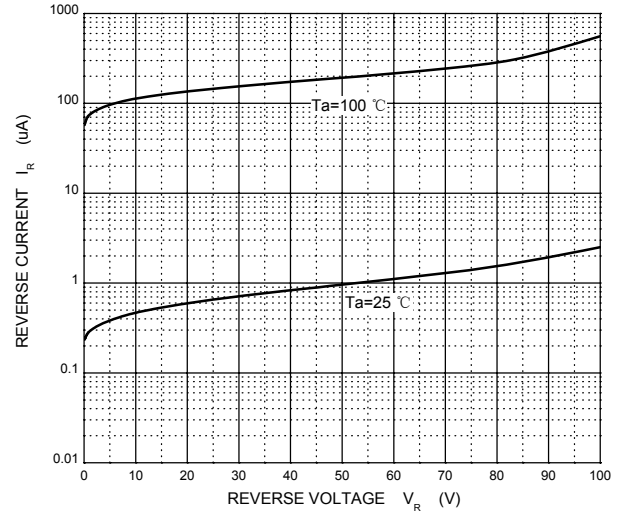
2. Short duration pulse test used to minimize self-heating effect.

Typical Characteristics

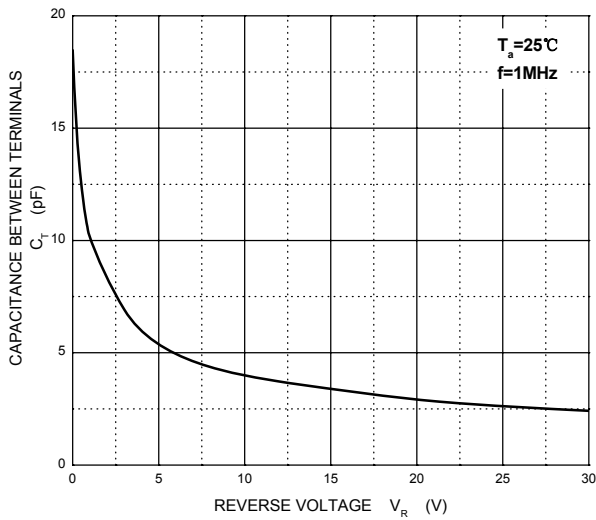
Forward Characteristics



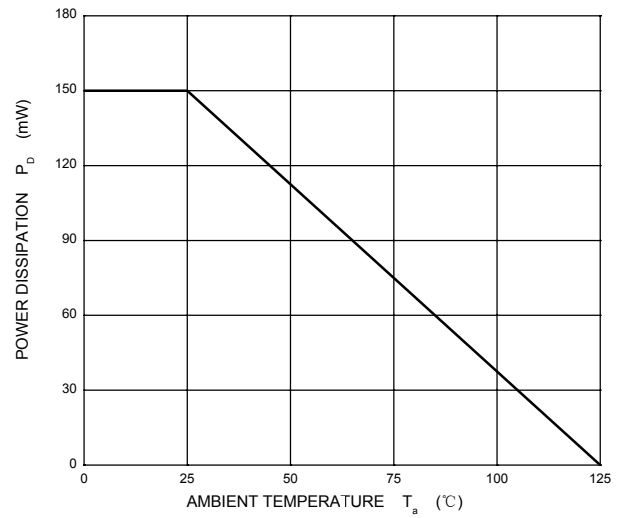
Reverse Characteristics



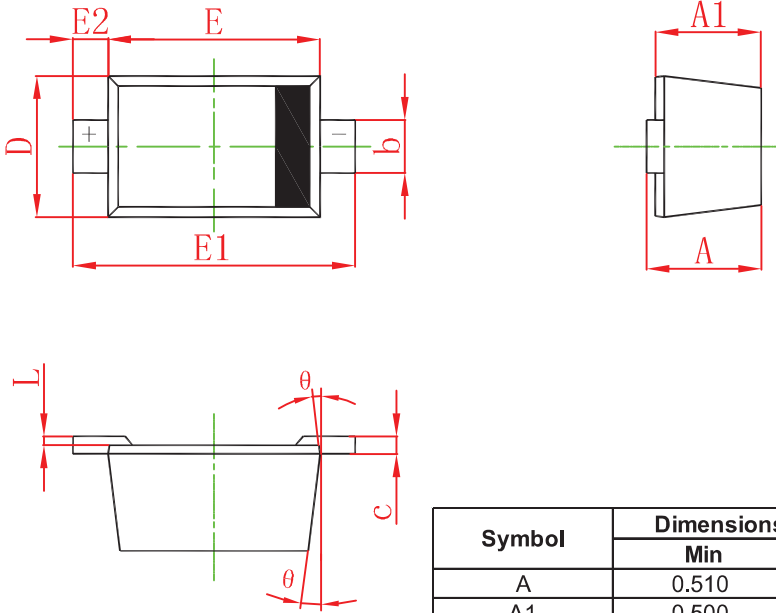
Capacitance Characteristics



Power Derating Curve

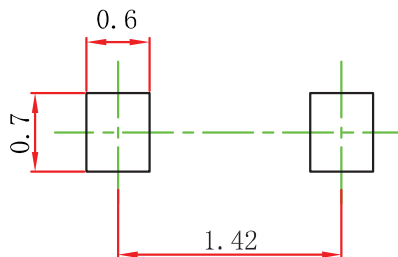


SOD-523 Package Outline Dimensions



Symbol	Dimensions In Millimeters		Dimensions In Inches	
	Min	Max	Min	Max
A	0.510	0.770	0.020	0.031
A1	0.500	0.700	0.020	0.028
b	0.250	0.350	0.010	0.014
c	0.080	0.150	0.003	0.006
D	0.750	0.850	0.030	0.033
E	1.100	1.300	0.043	0.051
E1	1.500	1.700	0.059	0.067
E2	0.200 REF		0.008 REF	
L	0.010	0.070	0.001	0.003
θ	7° REF		7° REF	

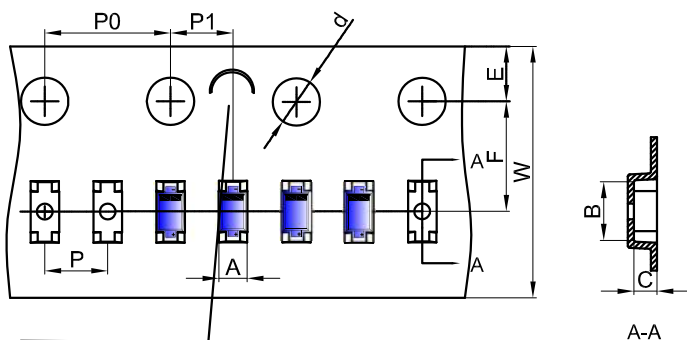
SOD-523 Suggested Pad Layout



Note:
 1. Controlling dimension: in millimeters.
 2. General tolerance: $\pm 0.05\text{mm}$.
 3. The pad layout is for reference purposes only.

SOD-523 Tape and Reel

SOD-523 Embossed Carrier Tape

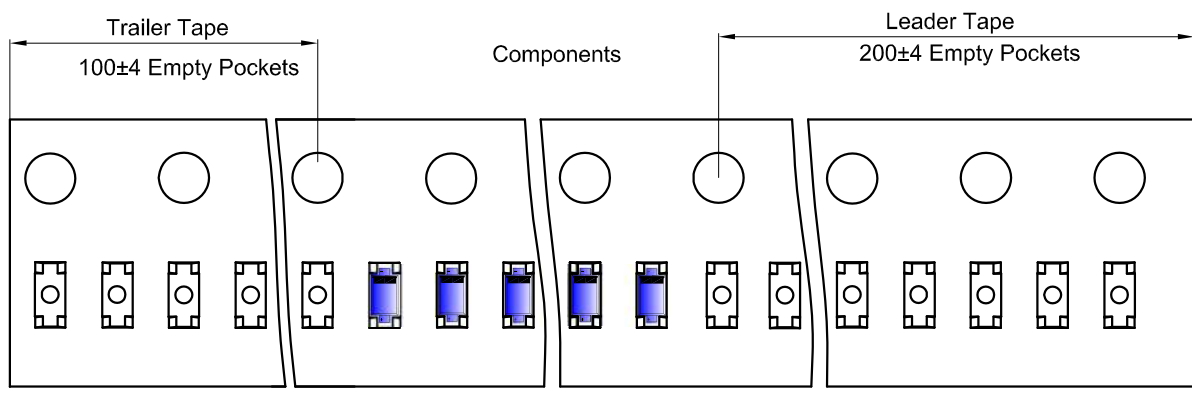


NOTE: TO CAVE 'C' ON CARRIER TAPE PER 120MM

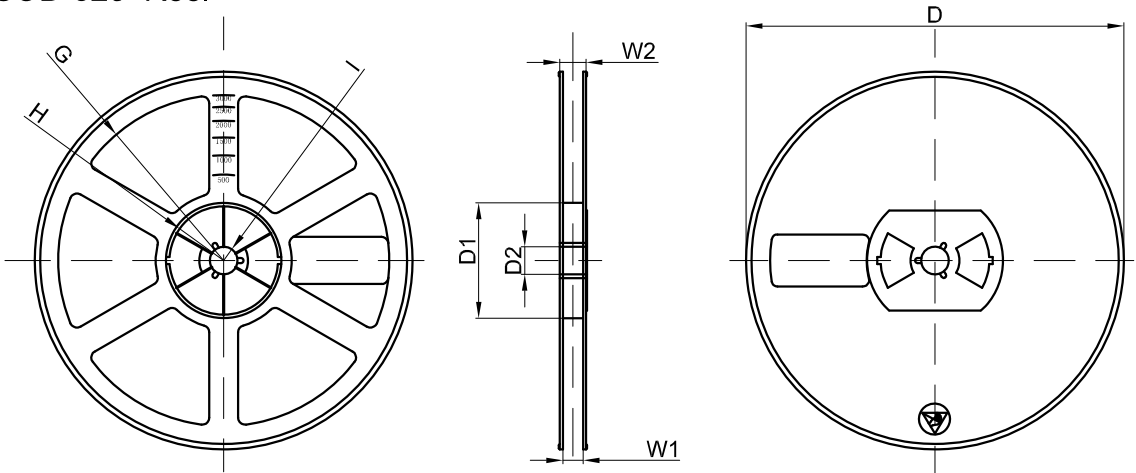
Packaging Description:
 SOD-523 parts are shipped in tape. The carrier tape is made from a dissipative (carbon filled) polycarbonate resin. The cover tape is a multilayer film (Heat Activated Adhesive in nature) primarily composed of polyester film, adhesive layer, sealant, and anti-static sprayed agent. These reeled parts in standard option are shipped with 8,000 units per 7" or 17.8cm diameter reel. The reels are clear in color and is made of polystyrene plastic (anti-static coated).

Dimensions are in millimeter										
Pkg type	A	B	C	d	E	F	P0	P	P1	W
SOD-523	0.9	1.94	0.73	Ø1.50	1.75	3.50	4.00	2.00	2.00	8.00

SOD-523 Tape Leader and Trailer



SOD-523 Reel



Dimensions are in millimeter								
Reel Option	D	D1	D2	G	H	I	W1	W2
7" Dia	Ø178.00	54.40	13.00	R78.00	R25.60	R6.50	9.50	12.30

REEL	Reel Size	Box	Box Size(mm)	Carton	Carton Size(mm)	G.W.(kg)
8000 pcs	7 inch	120,000 pcs	203×203×195	480,000 pcs	438×438×220	