

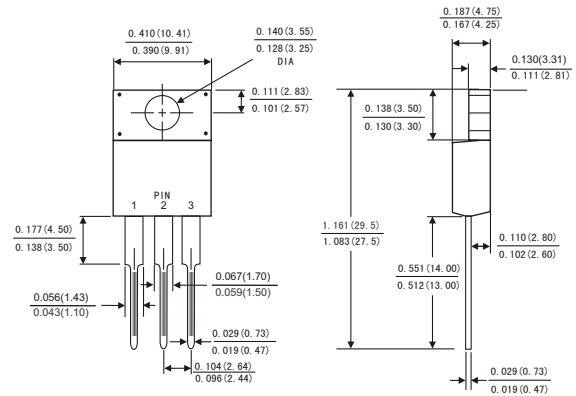
SCHOTTKY BARRIER RECTIFIER

Features:

- Plastic package has Underwriters Laboratory Flammability Classification 94V-0
- Metal silicon junction ,majority carrier conduction
- Guard ring for overvoltage protection
- Low power loss ,high efficiency
- High current capability ,Low forward voltage drop
- Single rectifier construction
- High surge capability
- For use in low voltage ,high frequency inverters, free wheeling ,and polarity protection applications
- High temperature soldering guaranteed:260°C/10 seconds, 0.25"(6.35mm)from case
- Component=in=accordance=to=RoHS=2002L95L.EC=and= WEEE=2002L96L.EC



ITO-220AB



Dimensions in inches and (millimeters)

Mechanical Data:

- Case: JEDEC ITO-220AB molded plastic body
- Terminals: Lead solderable per MIL-STD-750,method 2026
- Polarity: As marked
- Mounting Position: Any
- Weight: 0.08ounce, 2.24 gram

MAXIMUM RATINGS AND ELECTRICAL CHARACTERISTICS

(Ratings at 25 C ambient temperature unless otherwise specified ,Single phase ,half wave ,resistive or inductive load. For capacitive load,derate by 20%.)

| | Symbols | KSRF 3020CT | KSRF 3030CT | KSRF 3040CT | KSRF 3045CT | KSRF 3060CT | KSRF 3080CT | KSRF 30100CT | KSRF 30150CT | KSRF 30200CT | Units |
|--|-----------------|-------------------|-------------|-------------|-------------|-------------|-------------|--------------|--------------|--------------|---------------|
| Maximum repetitive peak reverse voltage | V_{RRM} | 20 | 30 | 40 | 45 | 60 | 80 | 100 | 150 | 200 | Volts |
| Maximum RMS voltage | V_{RMS} | 14 | 21 | 28 | 32 | 42 | 56 | 70 | 105 | 140 | Volts |
| Maximum DC blocking voltage | V_{DC} | 20 | 30 | 40 | 45 | 60 | 80 | 100 | 150 | 200 | Volts |
| Maximum average forward rectified current(see Fig.1) | $I(AV)$ | Per leg | | | | | | | | | Amps |
| | | Total device | | | | | | | | | |
| Peak forward surge current 8.3ms single half sine-wave superimposed on rated load (JEDEC method) | I_{FSM} | 15.0 30.0 | | | | | | | | | Amps |
| Maximum instantaneous forward voltage at 30.0 A | V_F | 0.55 | | | 0.75 | 0.85 | 0.95 | | | Volts | |
| Maximum instantaneous reverse current at rated DC blocking voltage(Note 1) | I_R | $T_c=25^{\circ}C$ | | | | | | | | | mA |
| | | 30 | | | 50 | | | | | | |
| Typical thermal resistance (Note 2) | $R_{\theta JC}$ | 3.0 | | | | | | | | | $^{\circ}C/W$ |
| Operating junction temperature range | T_J | -65 to+150 | | | | | | | | | $^{\circ}C$ |
| Storage temperature range | T_{STG} | -65 to+150 | | | | | | | | | $^{\circ}C$ |

Notes: 1.Pulse test: 300 μs pulse width,1% duty cycle

2.Thermal resistance from junction to case

FIG.1-FORWARD CURRENT DERATING CURVE

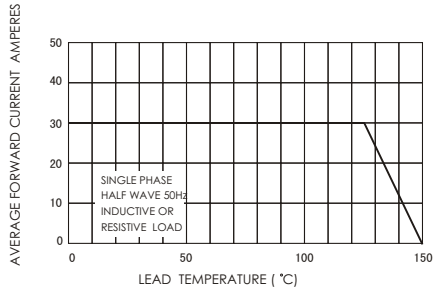


FIG.2-MAXIMUM NON-REPETITIVE PEAK FORWARD SURGE CURRENT PER DIODE

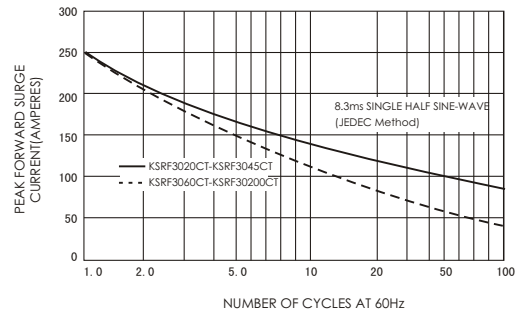


FIG.3-TYPICAL INSTANTANEOUS FORWARD CHARACTERISTICS

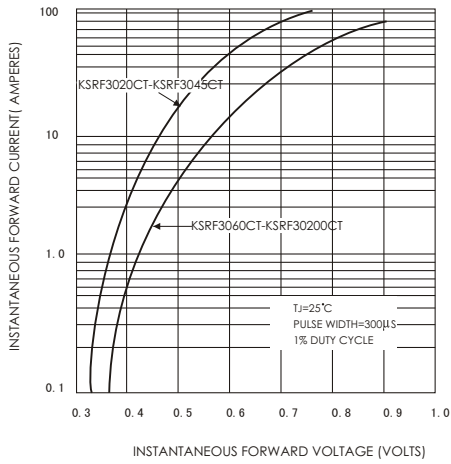
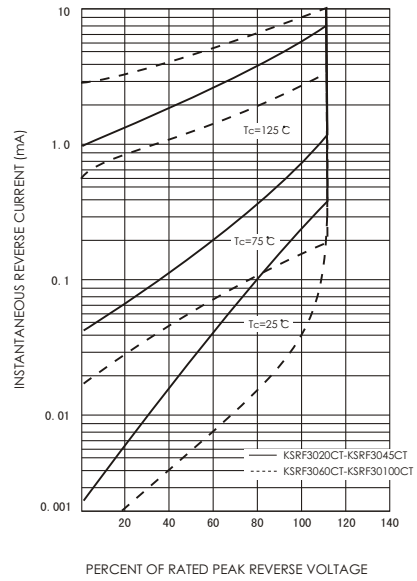
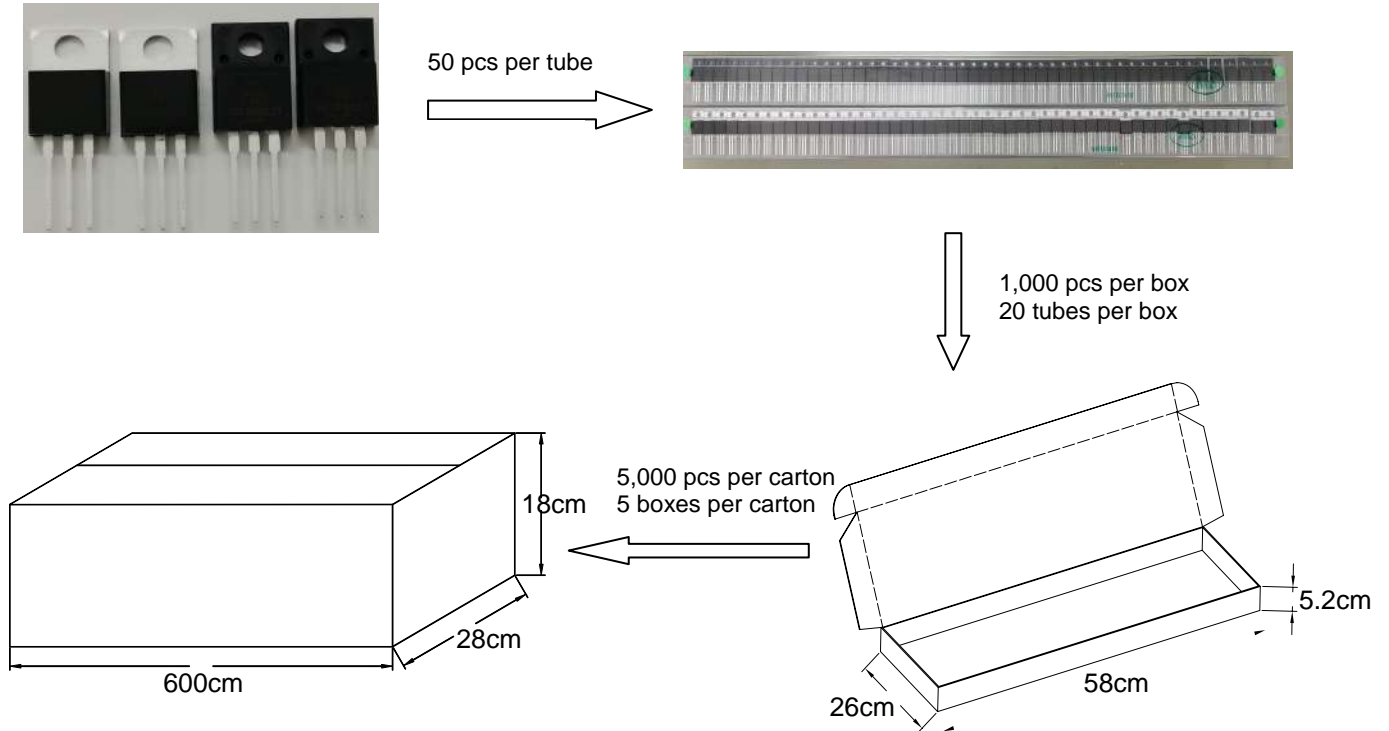


FIG.4-TYPICAL REVERSE CHARACTERISTICS

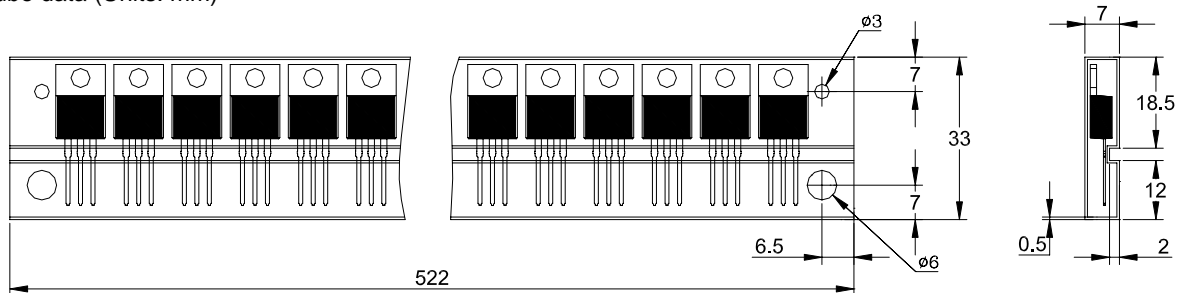


Packaging Specifications of Tube Pack for TO-220AB and ITO-220AB

1. The method of packaging and dimension are shown as below figure. (Dimension in mm)



2. Tube data (Units: mm)



Storage

1 It is recommended to store the products in the following conditions:

Humidity: 75% R.H. Max.

Temperature : 0°C ~35°C (32°F ~95°F)

2 Shelf life : 12 month at < 0°C ~35°C (32°F ~95°F) and < 75% R.H.