

30A 100V LOW VF SCHOTTKY RECTIFIER

Features:

- Super Low Forward Voltage (SLVF®) Drop
- Reliable High Temperature Operation
- Softest, fast switching capability
- 150°C Operating Junction Temperature
- Lead Free Finish, RoHS Compliant

Applications:

Device optimized for low forward voltage drop to maximize efficiency in Power Supply applications

KSR30100LCT



TO-220AB

KSRF30100LCT



ITO-220AB

KSRB30100LCT

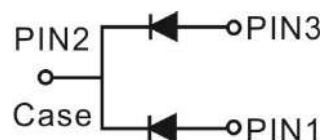


TO-262

KSRD30100LCT



TO-263



Major ratings and characteristics

Characteristics	Values	Units
$I_{F(AV)}$ Rectangular Waveform	15 × 2	A
V_{RRM}	100	V
$V_F@ 5A, T_j=125^\circ C$	0.52	V,
T_j Operating Junction Temperature	-65 to +150	$^\circ C$

1. Characteristics

Maximum Ratings Characteristics

($T_A = 25^{\circ}\text{C}$ unless otherwise specified)

Parameter	Symbol	Values	Units		
DC Blocking Voltage	V_{RM}	100	Volts		
Working Peak Reverse Voltage	V_{RWM}				
Peak Repetitive Reverse Voltage	V_{RRM}				
Average Rectified Forward Current Per device	I_o	30	Amps		
(Rated VR-20Khz Square Wave) - 50% duty cycle					
Peak Forward Surge Current - 1/2 60hz	I_{FSM}	200	Amps		
Peak Repetitive Reverse Surge Current (2uS-1Khz)	I_{RRM}	4	Amps		
Typical Thermal Resistance (per leg) Package = TO-220AB Package = ITO-220AB Package = TO-262 Package = TO-263	$R\theta_{JC}$	2 4 2.5 3	$^{\circ}\text{C} / \text{W}$		
Isolation voltage (ITO-220 only)		V_{AC}		1500	V
Maximum Rate of Voltage Change (at Rated V_R)		dv/dt		10000	V/uS
Operating Junction Temperature		T_J		- 40 to +150	$^{\circ}\text{C}$
Storage Junction Temperature	T_{STG}	- 40 to +150			

Electrical Characteristics - (per leg)

($T_A = 25^{\circ}\text{C}$ unless otherwise specified)

Parameter	Test Conditions		Symbol	Typ.	Max.	Units
Instantaneous Forward Voltage	IF = 10A	$T_J = 25^{\circ}\text{C}$	V_F^*	0.55	-----	Volts
	IF = 15 A			-----	0.72	
	IF = 10A	$T_J = 125^{\circ}\text{C}$		0.52	-----	
	IF = 15 A			-----	0.65	
Instantaneous Reverse Current	At V_{RM}	$T_J = 25^{\circ}\text{C}$	I_R^*	8.0	100	μA
		$T_J = 125^{\circ}\text{C}$		-----	10	mA
* Pulse width < 300 uS, Duty cycle < 2%						

2. Characteristics Curves

Ratings and Characteristics Curves

($T_A = 25^\circ\text{C}$ unless otherwise specified)

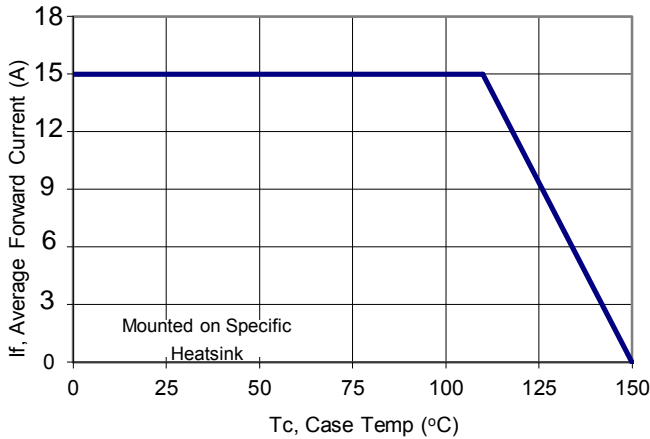


Figure 1: Current Derating, Case

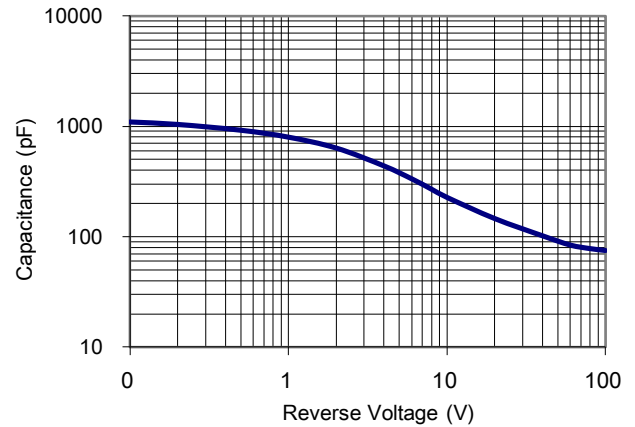


Figure 2: Typical Junction Capacitance

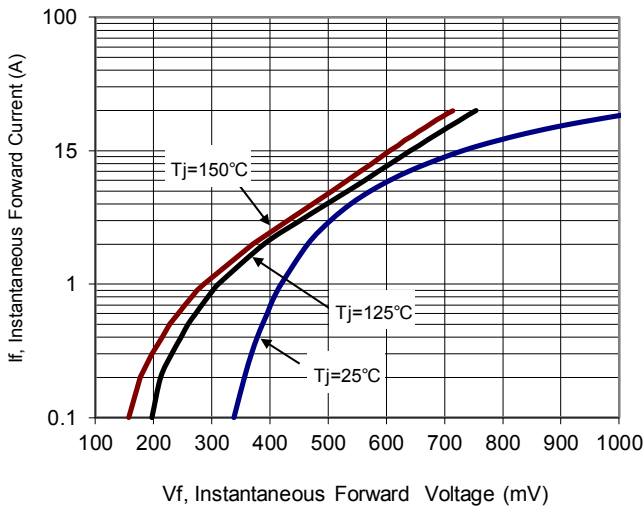


Figure 3: Typical Forward Voltage

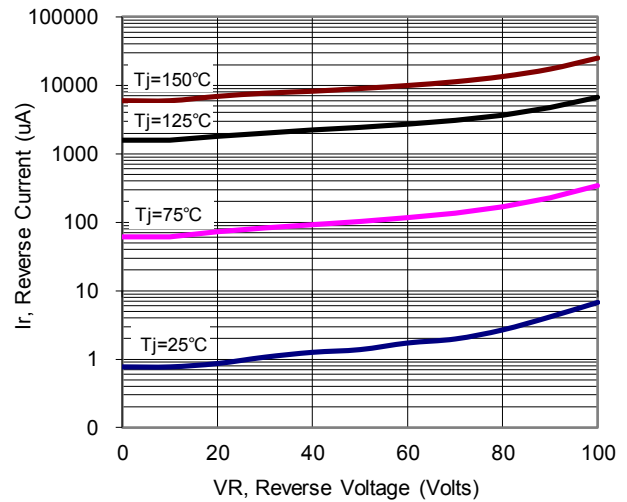


Figure 4: Typical Reverse Current

3. Marking information

Top Marking Rule

SR30100LCT
YYWW

SR30100LCT= Product Type Marking Code

YYWW = Date Code

YY = Last two digits of year

WW = Week code

SRF30100LCT
YYWW

SRF30100LCT= Product Type Marking Code

YYWW = Date Code

YY = Last two digits of year

WW = Week code

SRB30100LCT
YYWW

SRB30100LCT= Product Type Marking Code

YYWW = Date Code

YY = Last two digits of year

WW = Week code

SRD30100LCT
YYWW

SRD30100LCT = Product Type Marking Code

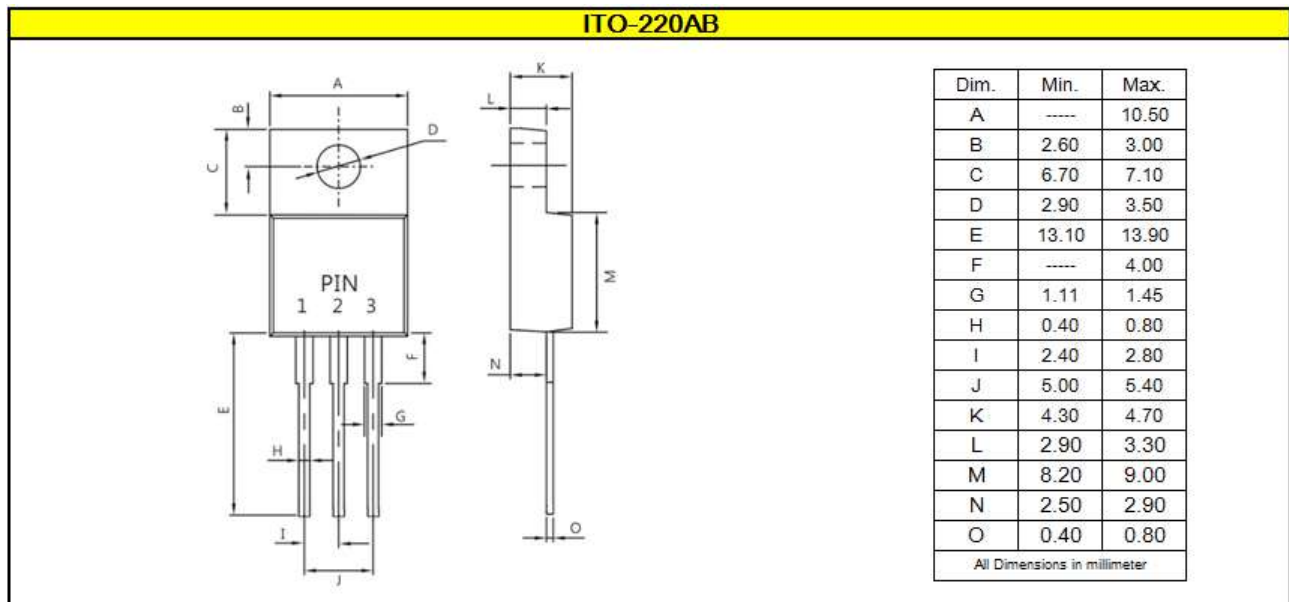
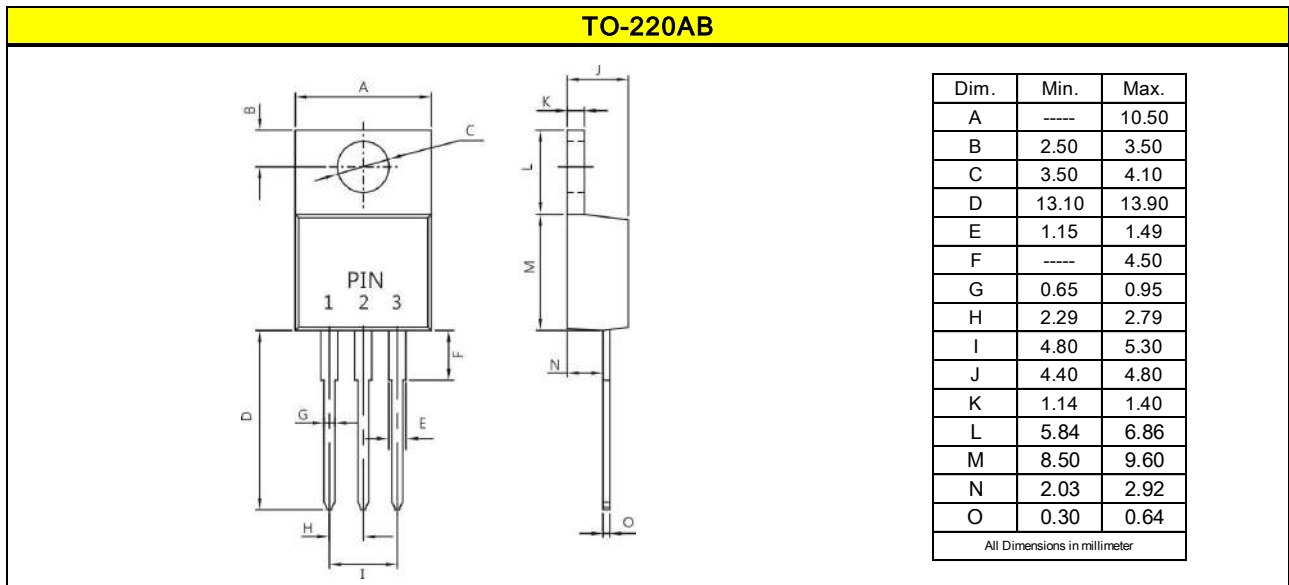
YYWW = Date Code

YY = Last two digits of year

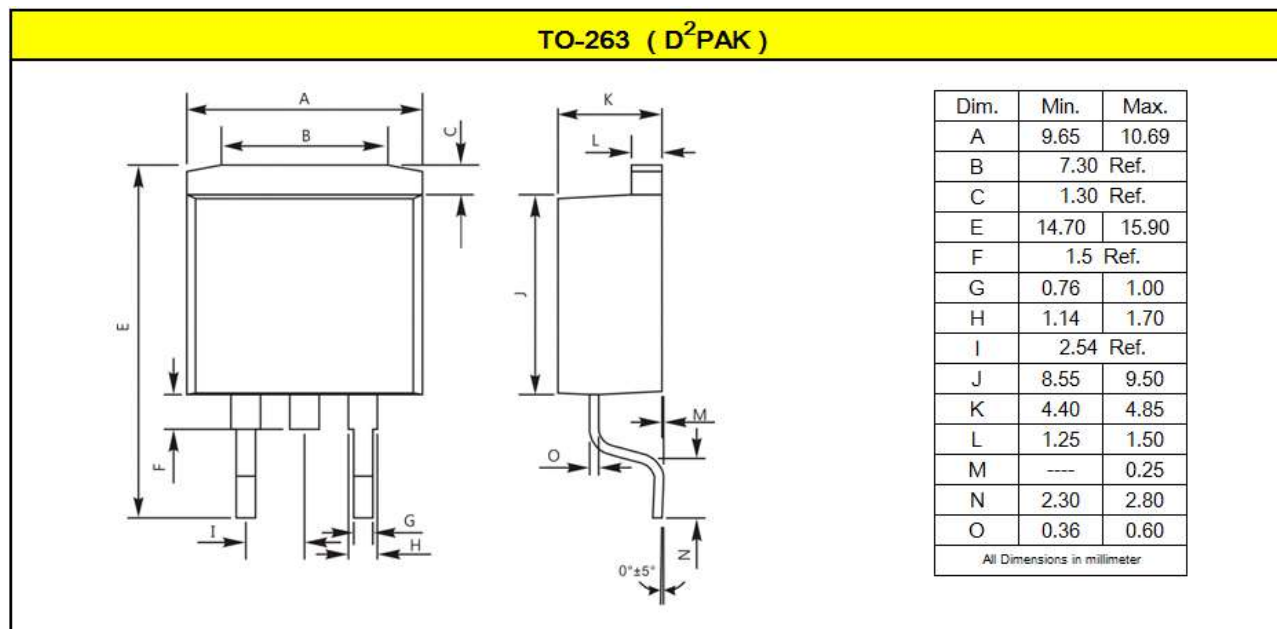
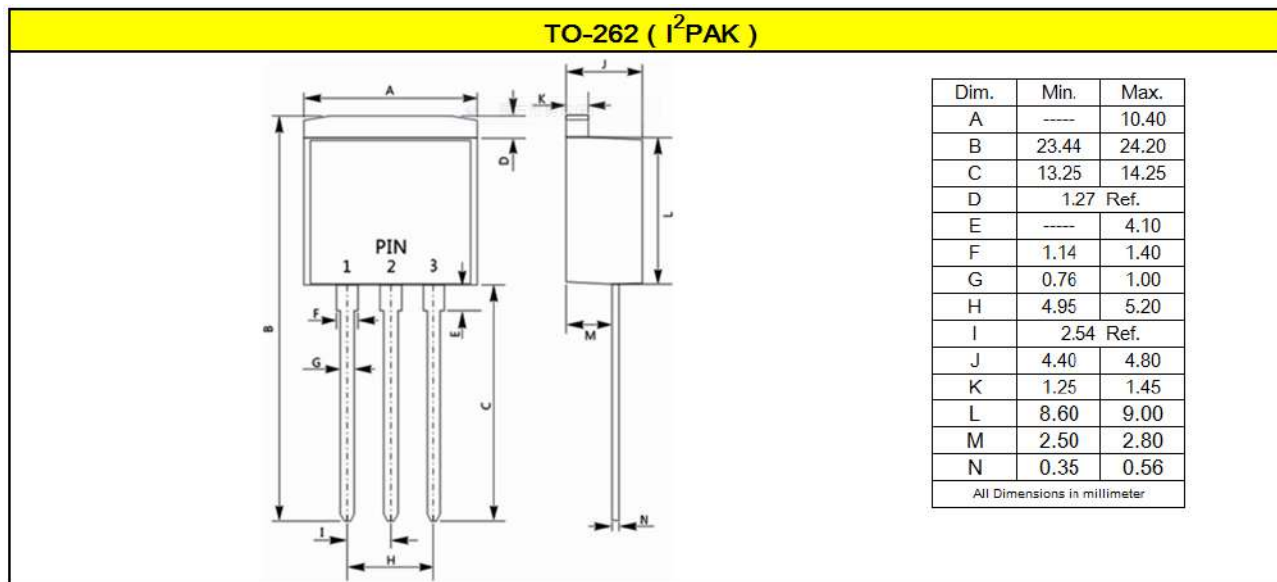
WW = Week code

4. Package information

Package Outline Dimensions millimeters



Package Outline Dimensions millimeters



5. Ordering information

Part Number	Package	Delivery mode
KSR30100LCT	TO-220AB	50 pieces / tube
KSRF30100LCT	ITO-220AB	50 pieces / tube
KSRB30100LCT	TO-262	50 pieces / tube
KSRD30100LCT	TO-263	800 pieces / 13" diameter reel

Mechanical

- Molder Plastic: UL Flammability Classification Rating 94V-0
- Device Weight : 0.07 ounces (1.96grams) - TO-220AB
0.06 ounces (1.74grams) - ITO-220AB
0.05 ounces (1.45 grams) - TO-262
0.04 ounces (1.16 grams) - TO-263
- Mounting Torque : Recommended 4~5 kg-cm.