

SCHOTTKY BARRIER RECTIFIER

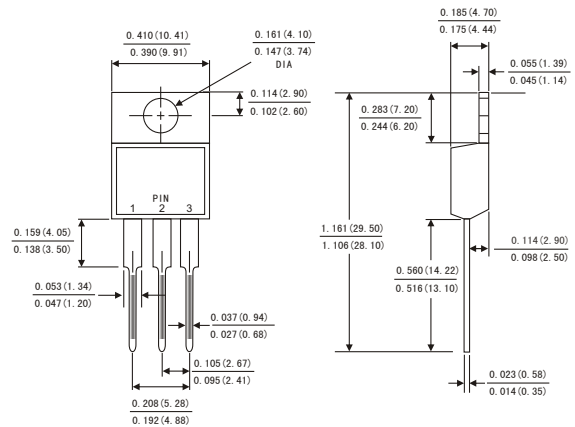
Features:

- Plastic package has Underwriters Laboratory Flammability Classification 94V-0
- Metal silicon junction ,majority carrier conduction
- Guard ring for overvoltage protection
- Low power loss ,high efficiency
- High current capability ,Low forward voltage drop
- High surge capability
- For use in low voltage ,high frequency inverters, free wheeling ,and polarity protection applications
- Dual rectifier construction
- High temperature soldering guaranteed:260° C/10 seconds,, 0.25"(6.35mm)from case
- Component in accordance to RoHS 2002/95/EC and WEEE 2002/96/EC

Descriptions :

- **Case:** JEDEC TO-220AB molded plastic body
- **Terminals:** Lead solderable per MIL-STD-750,method 2026
- **Polarity:** As marked
- **Mounting Position:** Any
- **Weight:** 0.08ounce, 2.24 grams

TO-220AB



Dimensions in inches and (millimeters)

MAXIMUM RATINGS AND ELECTRICAL CHARACTERISTICS

(Ratings at 25°C ambient temperature unless otherwise specified ,Single phase ,half wave ,resistive or inductive load. For capacitive load,derate by 20%.)

	Symbols	KSR 2020CT	KSR 2030CT	KSR 2045CT	KSR 2050CT	KSR 2060CT	KSR 2080CT	KSR 20100CT	KSR 20150CT	KSR 20200CT	Units
Maximum repetitive peak reverse voltage	VRRM	20	30	45	50	60	80	100	150	200	Volts
Maximum RMS voltage	VRMS	14	21	31.5	35	42	56	70	105	140	Volts
Maximum DC blocking voltage	VDC	20	30	45	50	60	80	100	150	200	Volts
Maximum average forward rectified current(see Fig.1)	I(AV)	10.0									Amps
		20.0									
Peak forward surge current 8.3ms single half sine-wave superimposed on rated load (JEDEC method)	IFSM	200.0									Amps
Maximum instantaneous forward voltage at 20.0 A	VF	0.60			0.75		0.85		0.90	0.95	Volts
Maximum instantaneous reverse current at rated DC blocking voltage(Note 1)	IR	0.2									mA
		30									
Typical thermal resistance (Note 2)	RθJC	3.0									°C/W
Operating junction temperature range	TJ	-65 to+150									°C
Storage temperature range	TSTG	-65 to+150									°C

- Notes:** 1.Pulse test: 300 μs pulse width,1% duty cycle
 2.Thermal resistance from junction to case

FIG.1-FORWARD CURRENT DERATING CURVE

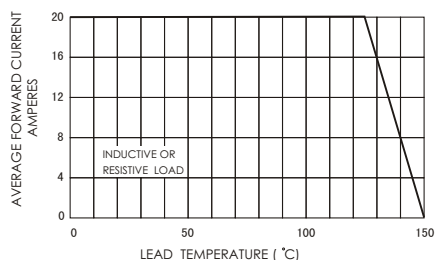


FIG.2-MAXIMUM NON-REPETITIVE PEAK FORWARD SURGE CURRENT

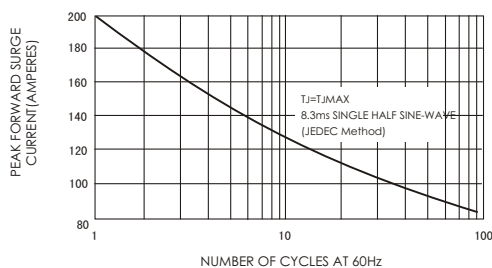


FIG.3-TYPICAL INSTANTANEOUS FORWARD CHARACTERISTICS

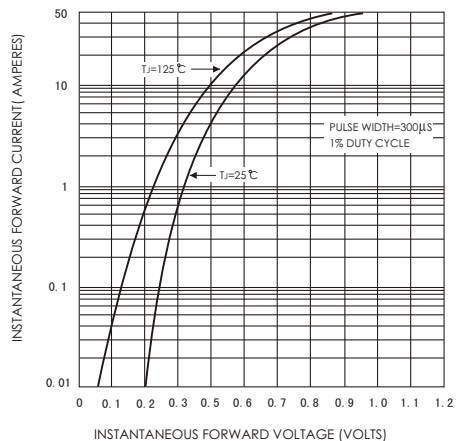


FIG.4-TYPICAL REVERSE CHARACTERISTICS

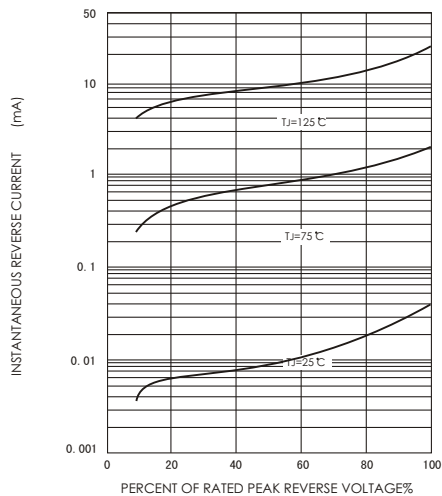


FIG.5-TYPICAL JUNCTION CAPACITANCE

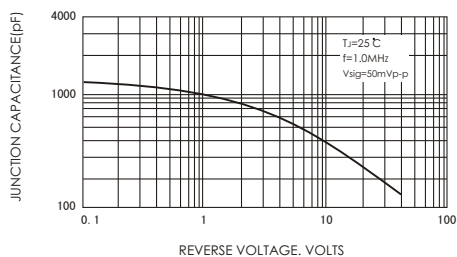


FIG.6-TYPICAL TRANSIENT THERMAL IMPEDANCE

