

20A 100V SCHOTTKY RECTIFIER

Features:

- Super Low Forward Voltage (SLVF®) Drop
- Reliable High Temperature Operation
- Softest, fast switching capability
- 150°C Operating Junction Temperature
- Lead Free Finish, RoHS Compliant

Applications:

Device optimized for low forward voltage drop to maximize efficiency in Power Supply applications

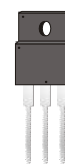
KSR20100CT



TO-220AB

KSRB20100CT

KSRF20100CT



ITO-220AB

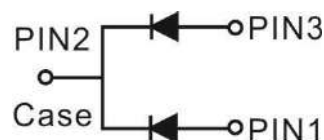
KSRD20100CT



TO-262



TO-263



Major ratings and characteristics

Characteristics	Values	Units
$I_{F(AV)}$ Rectangular Waveform	10 × 2	A
V_{RRM}	100	V
$V_F@ 5A, T_J=125\text{ }^\circ\text{C}$	0.52	V,
T_J Operating Junction Temperature	-65 to +150	$^\circ\text{C}$

1. Characteristics

Maximum Ratings Characteristics

($T_A = 25^\circ\text{C}$ unless otherwise specified)

Parameter	Symbol	Values	Units
DC Blocking Voltage	V_{RM}	100	Volts
Working Peak Reverse Voltage	V_{RWM}		
Peak Repetitive Reverse Voltage	V_{RRM}		
Average Rectified Forward Current Per device	I_o	20	Amps
(Rated VR-20Khz Square Wave) - 50% duty cycle			
Peak Forward Surge Current - 1/2 60hz	I_{FSM}	150	Amps
Peak Repetitive Reverse Surge Current (2uS-1Khz)	I_{RRM}	1	Amps
Typical Thermal Resistance (per leg)	$R\theta_{Jc}$	2	$^\circ\text{C} / \text{W}$
Package = TO-220AB		4	
Package = ITO-220AB		2.5	
Package = TO-262		3	
Package = TO-263			
Isolation voltage (ITO-220 only)	V_{AC}	1500	V
Maximum Rate of Voltage Change (at Rated V_R)	dv/dt	10000	V/uS
Operating Junction Temperature	T_J	- 40 to +150	$^\circ\text{C}$
Storage Junction Temperature	T_{STG}	- 40 to +150	

Electrical Characteristics - (per leg)

($T_A = 25^\circ\text{C}$ unless otherwise specified)

Parameter	Test Conditions		Symbol	Typ.	Max.	Units
Instantaneous Forward Voltage	IF = 5 A	$T_J = 25^\circ\text{C}$	V_F^*	0.60	-----	Volts
	IF = 10 A			-----	0.82	
	IF = 5 A	$T_J = 125^\circ\text{C}$		0.52	-----	
	IF = 10 A			-----	0.70	
Instantaneous Reverse Current	At V_{RM}	$T_J = 25^\circ\text{C}$	I_R^*	8.0	100	μA
		$T_J = 125^\circ\text{C}$		-----	25	mA

* Pulse width < 300 uS, Duty cycle < 2%

2. Characteristics Curves

Ratings and Characteristics Curves

(TA = 25°C unless otherwise specified)

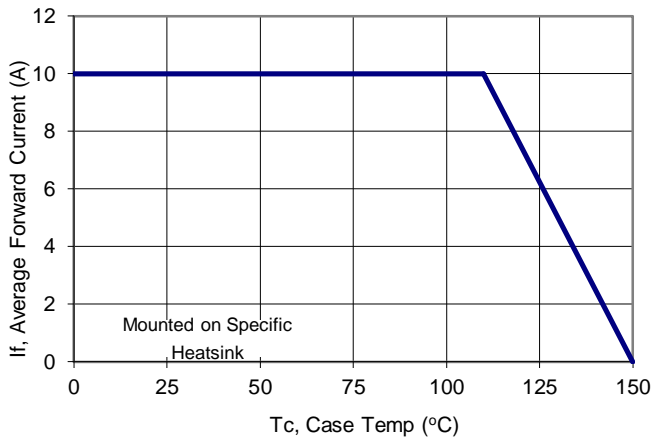


Figure 1: Current Derating, Case

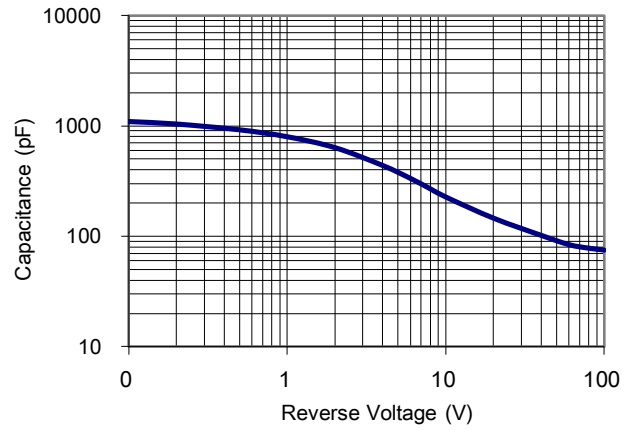


Figure 2: Typical Junction Capacitance

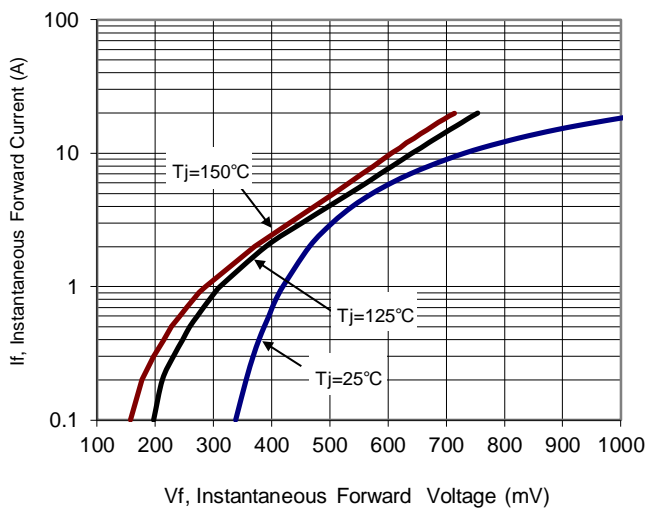


Figure 3: Typical Forward Voltage

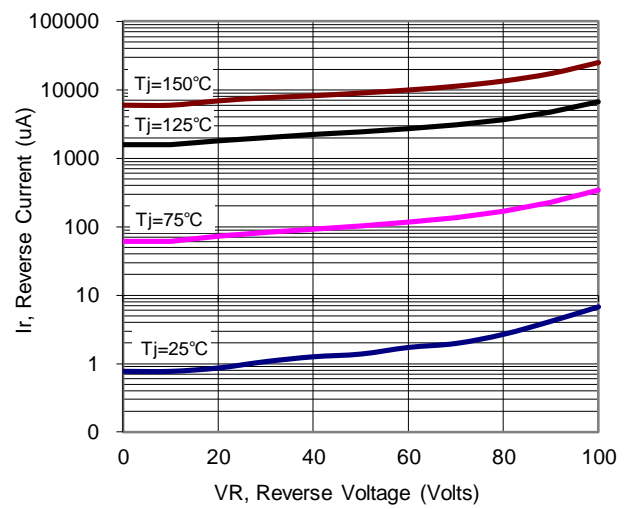
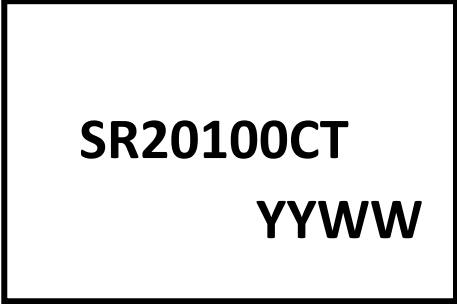


Figure 4: Typical Reverse Current

3. Marking information

Top Marking Rule



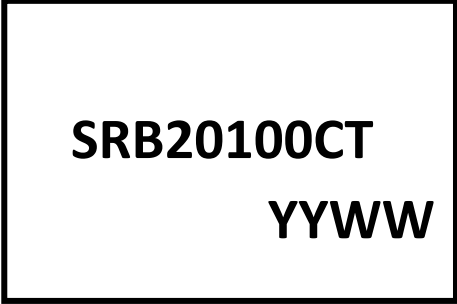
SR20100CT
YYWW

SR20100CT = Product Type Marking
Code YYWW = Date Code
YY = Last two digits of year
WW = Week code



SRF20100CT
YYWW

SRF20100CT = Product Type Marking
Code YYWW = Date Code
YY = Last two digits of year
WW = Week code



SRB20100CT
YYWW

SRB20100CT = Product Type Marking
Code YYWW = Date Code
YY = Last two digits of year
WW = Week code

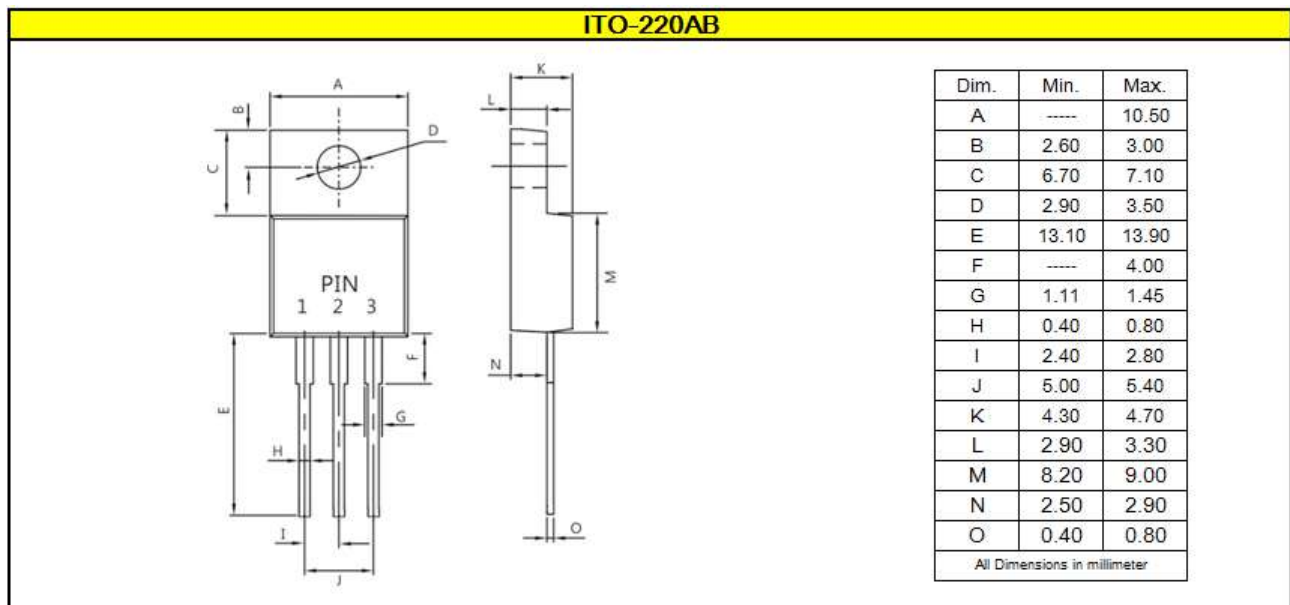
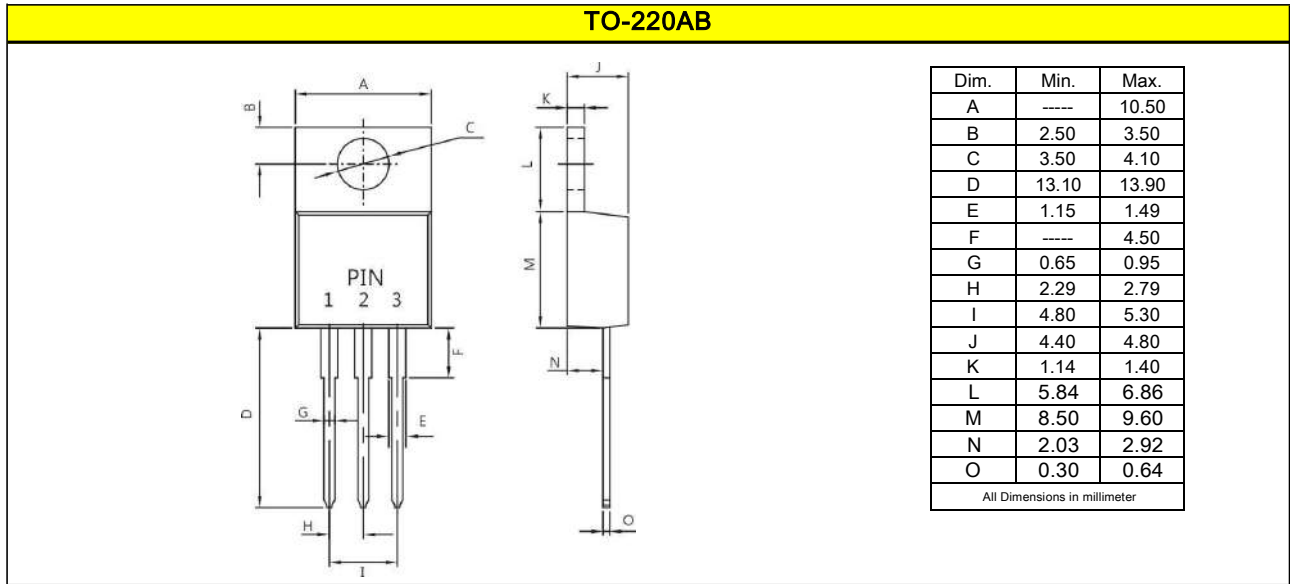


SRD20100CT
YYWW

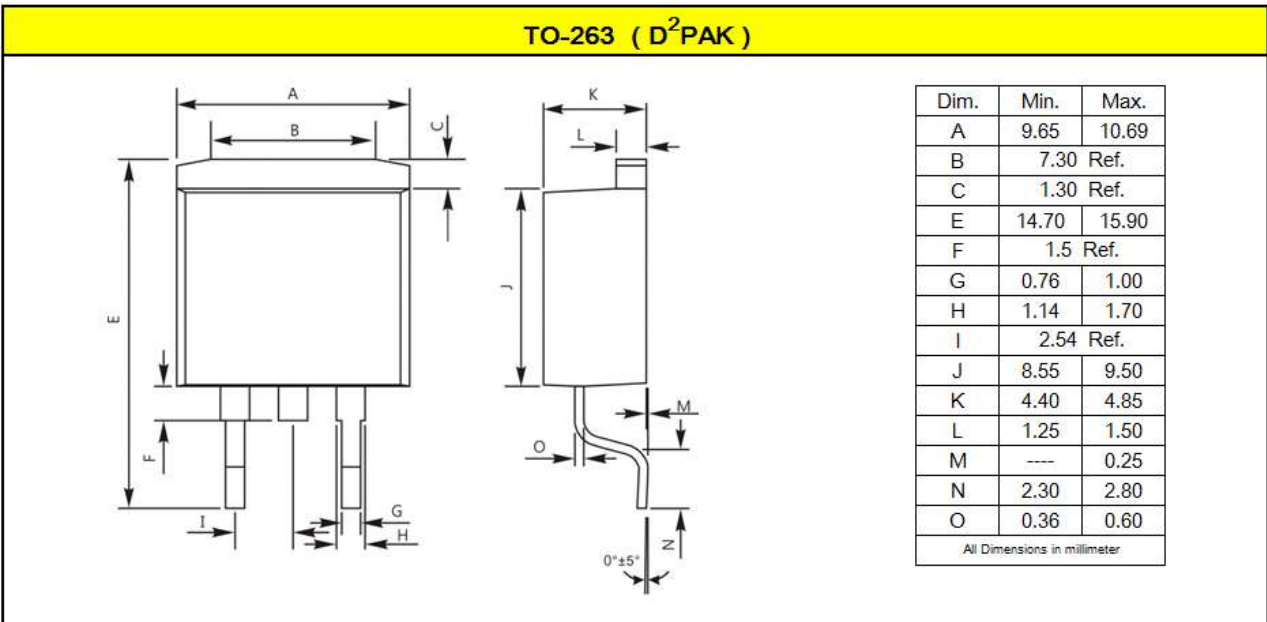
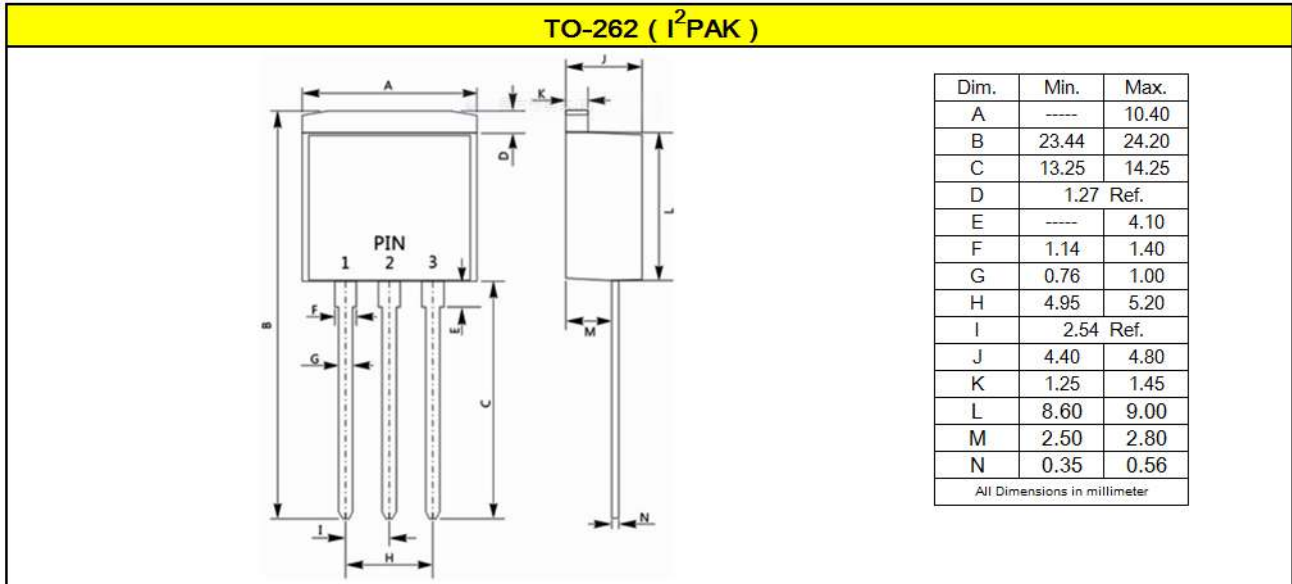
SRD20100CT = Product Type Marking
Code YYWW = Date Code
YY = Last two digits of year
WW = Week code

4. Package information

Package Outline Dimensions millimeters



Package Outline Dimensions millimeters



5. Ordering information

Part Number	Package	Delivery mode
KSR20100CT	TO-220AB	50 pieces / tube
KSRF20100CT	ITO-220AB	50 pieces / tube
KSRB20100CT	TO-262	50 pieces / tube
KSRD20100CT	TO-263	800 pieces / 13" diameter reel

Mechanical

- Molder Plastic: UL Flammability Classification Rating 94V-0
- Device Weight : 0.07 ounces (1.96grams) - TO-220AB
0.06 ounces (1.74grams) - ITO-220AB
0.05 ounces (1.45 grams) - TO-262
0.04 ounces (1.16 grams) - TO-263
- Mounting Torque : Recommended 4~5 kg-cm.