

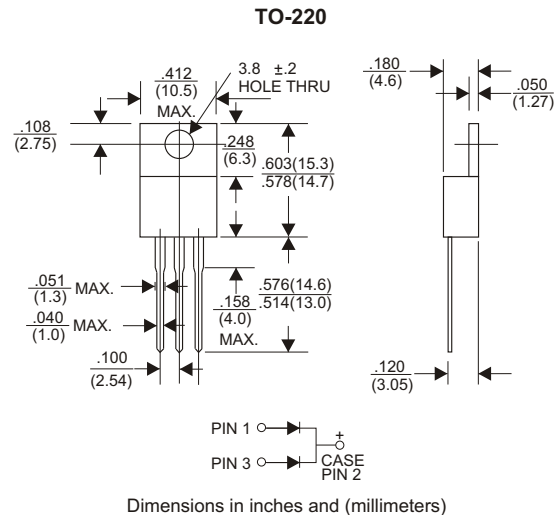
10.0 AMP SCHOTTKY BARRIER RECTIFIERS

Features:

- * Low forward voltage drop
- * High current capability
- * High reliability
- * High surge current capability
- * Epitaxial construction

Mechanical Data:

- * Case: Molded plastic
- * Epoxy: UL 94V-0 rate flame retardant
- * Lead: Lead solderable per MIL-STD-202, method 208 guaranteed
- * Polarity: As Marked
- * Mounting position: Any



MAXIMUM RATINGS AND ELECTRICAL CHARACTERISTICS

Rating 25°C ambient temperature unless otherwise specified.
 Single phase half wave, 60Hz, resistive or inductive load.
 For capacitive load, derate current by 20%.

TYPE NUMBER	KSR 1020CT	KSR 1030CT	KSR 1040CT	KSR 1045CT	KSR 1060CT	KSR 1080CT	KSR 10100CT	UNITS
Maximum Recurrent Peak Reverse Voltage	20	30	40	45	60	80	100	V
Maximum RMS Voltage	14	21	28	31.5	42	56	70	V
Maximum DC Blocking Voltage	20	30	40	45	60	80	100	V
Maximum Average Forward Rectified Current at Tc=95°C	10.0							A
Peak Forward Surge Current, 8.3 ms single half sine-wave superimposed on rated load (JEDEC method)	150							A
Maximum Instantaneous Forward Voltage at 5.0A	0.55		0.65		0.85			V
Maximum DC Reverse Current Ta=25°C	0.1							mA
at Rated DC Blocking Voltage Ta=100°C	10							mA
Typical Junction Capacitance (Note1)	380							pF
Typical Thermal Resistance RθJC (Note 2)	2.5							°C/W
Operating Temperature Range Tj	-65 — +150							°C
Storage Temperature Range Tstg	-65 — +150							°C

NOTES:

1. Measured at 1MHz and applied reverse voltage of 4.0V D.C.
2. Thermal Resistance Junction to Case.

RATING AND CHARACTERISTIC CURVES (KSR1020CT THRU KSR10100CT)

FIG.1-TYPICAL FORWARD CURRENT DERATING CURVE

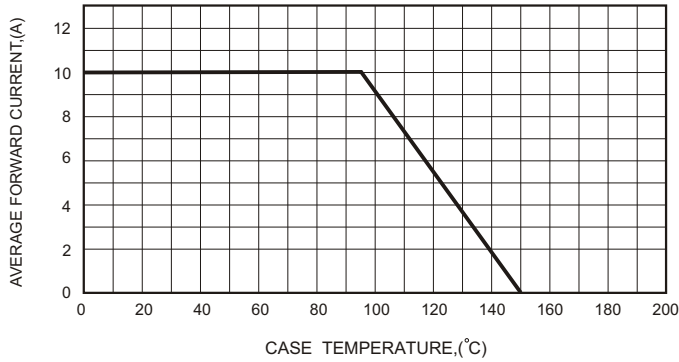


FIG.2-TYPICAL FORWARD CHARACTERISTICS

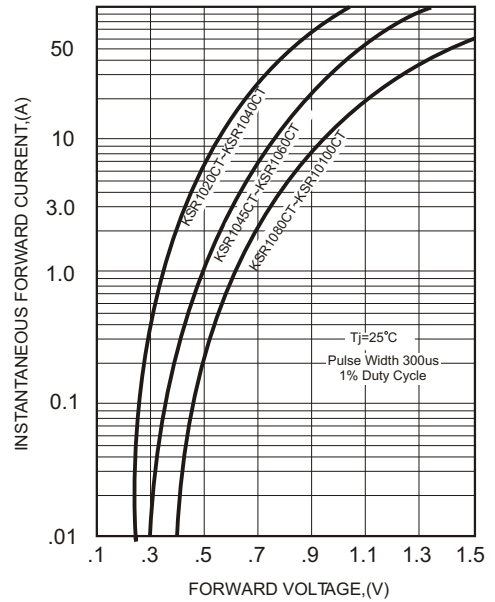


FIG.3-MAXIMUM NON-REPETITIVE FORWARD SURGE CURRENT

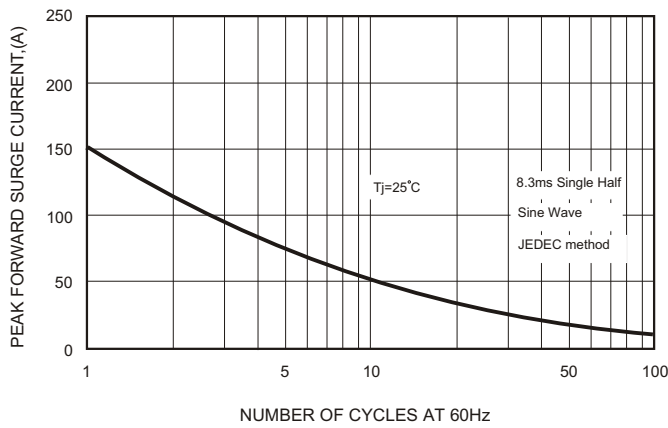


FIG.5 - TYPICAL REVERSE CHARACTERISTICS

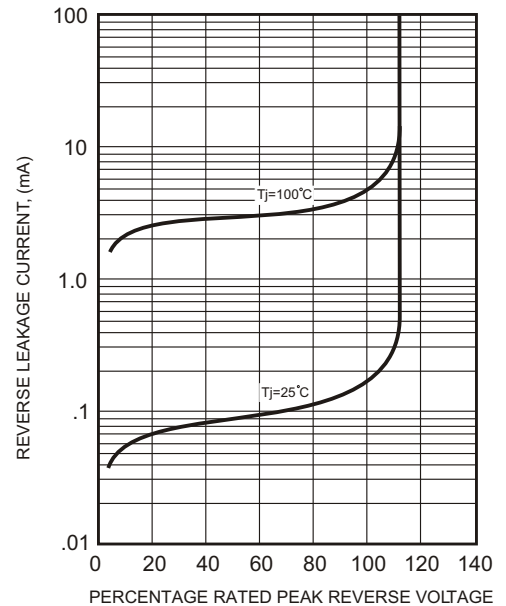


FIG.4-TYPICAL JUNCTION CAPACITANCE

