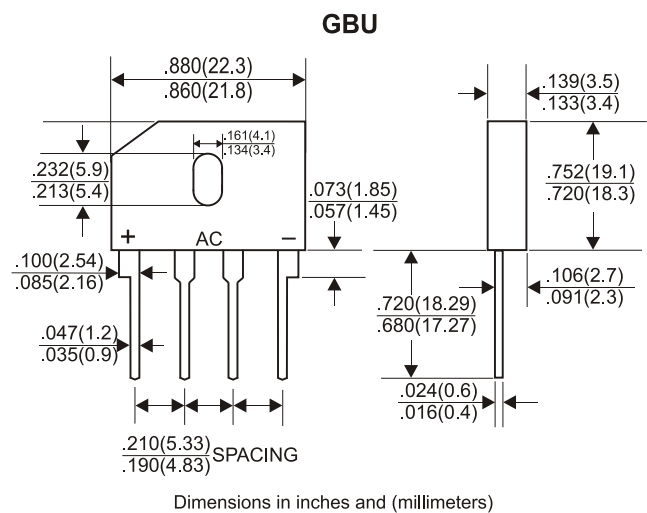


## SINGLE PHASE 4.0 AMP BRIDGE RECTIFIERS

### Features:

- \* Ideal for printed circuit board
- \* Low forward voltage
- \* Low leakage current
- \* Polarity: marked on body
- \* Mounting position: Any



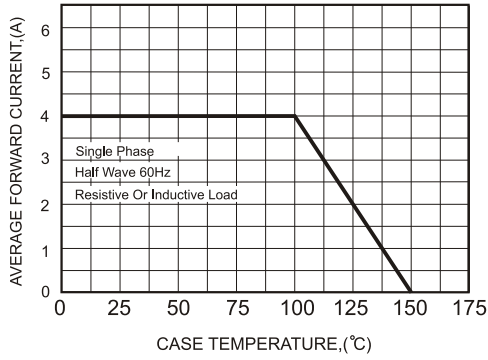
## MAXIMUM RATINGS AND ELECTRICAL CHARACTERISTICS

Rating 25°C ambient temperature unless otherwise specified.  
 Single phase half wave, 60Hz, resistive or inductive load.  
 For capacitive load, derate current by 20%.

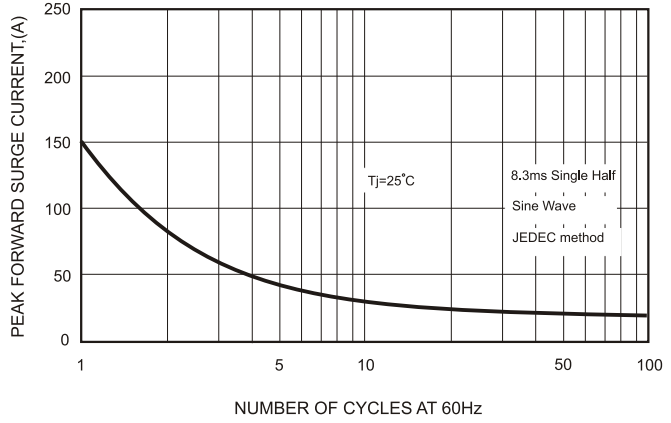
TYPE NUMBER	GBU401	GBU402	GBU403	GBU404	GBU406	GBU408	GBU410	UNITS	
Maximum Recurrent Peak Reverse Voltage	50	100	200	400	600	800	1000	V	
Maximum RMS Voltage	35	70	140	280	420	560	700	V	
Maximum DC Blocking Voltage	50	100	200	400	600	800	1000	V	
Maximum Average Forward Rectified Current at Tc=100°C								4.0	A
Peak Forward Surge Current, 8.3 ms single half sine-wave superimposed on rated load (JEDEC method)								150	A
Maximum Forward Voltage Drop per Bridge Element at 4.0A D.C.								1.0	V
Maximum DC Reverse Current Ta=25°C								10	μA
at Rated DC Blocking Voltage Ta=100°C								500	μA
Operating Temperature Range, Tj								-65 — +150	°C
Storage Temperature Range, Tstg								-65 — +150	°C

**RATING AND CHARACTERISTIC CURVES (GBU401 THRU GBU410)**

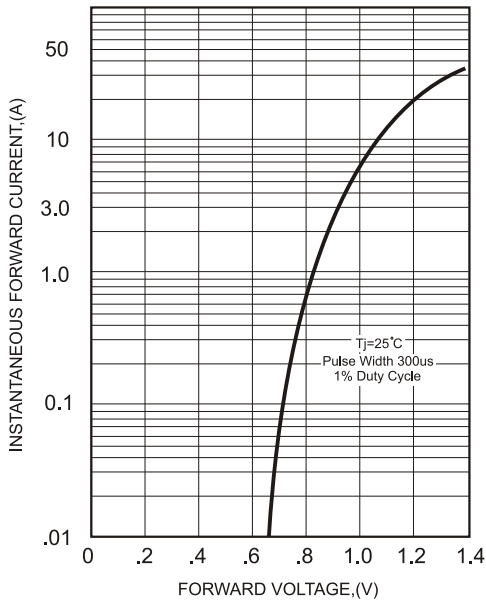
**FIG.1-TYPICAL FORWARD CURRENT DERATING CURVE**



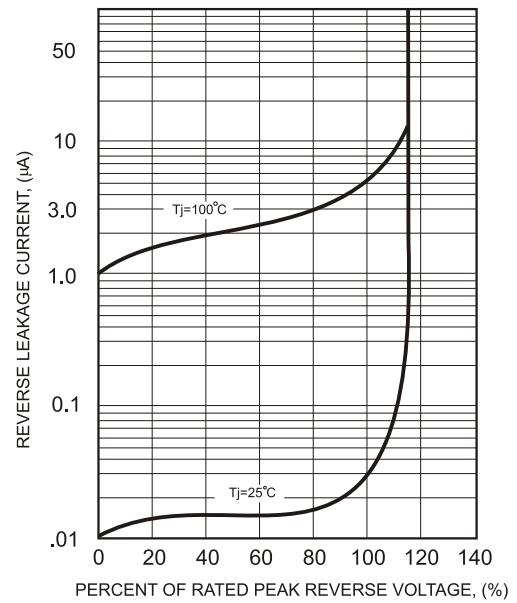
**FIG.2-MAXIMUM NON-REPETITIVE FORWARD SURGE CURRENT**



**FIG.3-TYPICAL FORWARD CHARACTERISTICS**

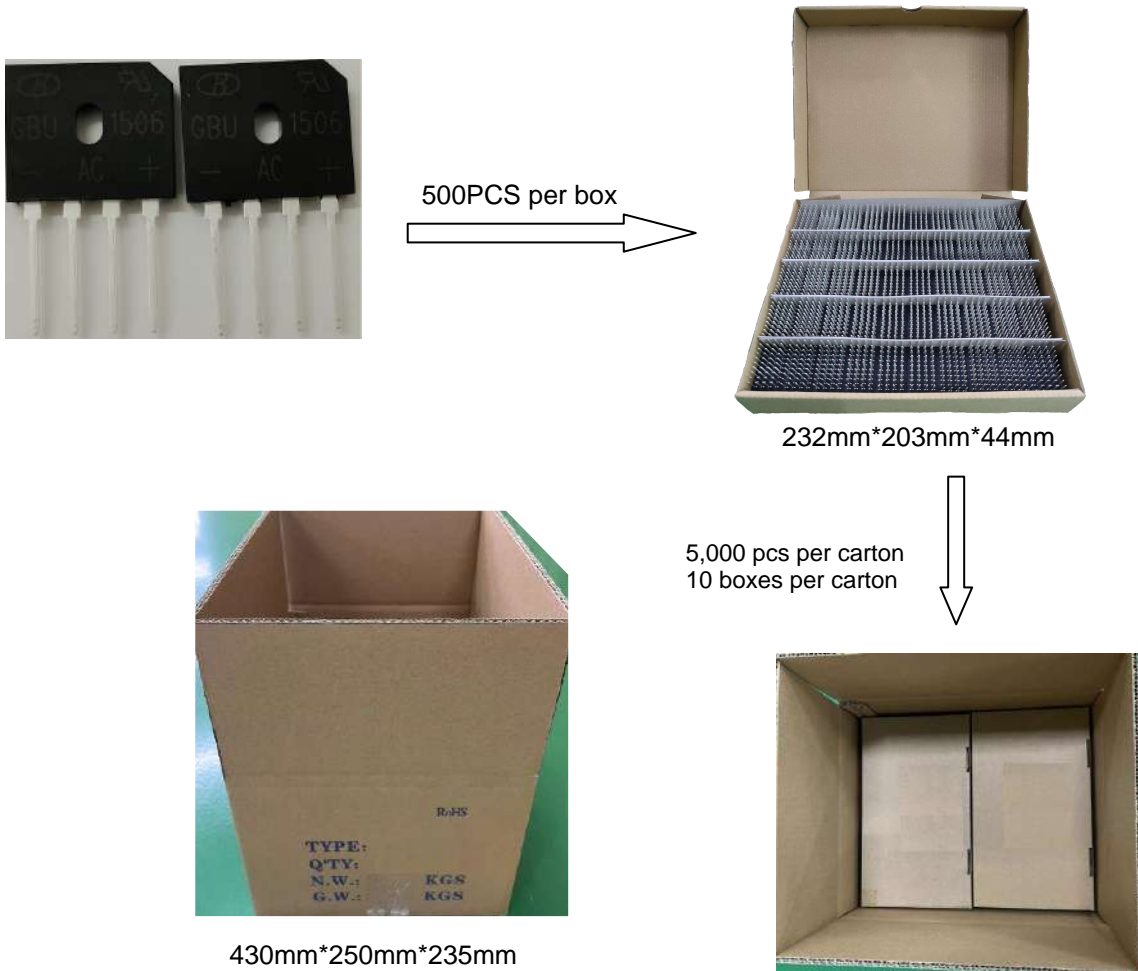


**FIG.4-TYPICAL REVERSE CHARACTERISTICS**



## Packaging Specifications of GBU

1. The method of packaging and dimension are shown as below figure. (Dimension in mm)



### Storage

1 It is recommended to store the products in the following conditions:

Humidity: 75% R.H. Max.

Temperature : 0°C~35°C(32°F~95°F)

2 Shelf life : 12 month at < 0°C~35°C(32°F~95°F) and <75% R.H.