

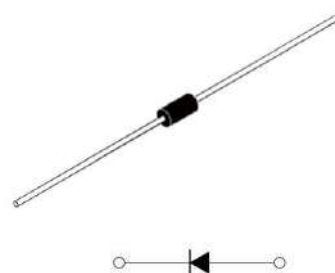
## DO-41 Plastic-Encapsulate Diodes

### Glass Passivated FAST RECOVERY RECTIFIERS

#### Features:

- $I_{F(AV)}$  1A
- $V_{RRM}$  50V-1000V
- High surge current capability
- Polarity: Color band denotes cathode

DO-41



#### Applications:

- Rectifier

#### Marking

- FR10XG  
X : From 1 To 7

#### Limiting Values(Absolute Maximum Rating)

Item	Symbol	Unit	Test Conditions	FR						
				101G	102G	103G	104G	105G	106G	107G
Repetitive Peak Reverse Voltage	$V_{RRM}$	V		50	100	200	400	600	800	1000
Maximum RMS Voltage	$V_{RMS}$	V		35	70	140	280	420	560	700
Maximum DC Blocking Voltage	$V_{DC}$	V		50	100	200	400	600	800	1000
Average Forward Current	$I_{F(AV)}$	A	60Hz Half-sine wave , Resistance load , $T_a=75^{\circ}C$	1.0						
Surge(Non-repetitive)Forward Current	$I_{FSM}$	A	60Hz Half-sine wave , 1 cycle , $T_a=25^{\circ}C$	30						
Junction Temperature	$T_J$	$^{\circ}C$		-55 ~ +150						
Storage Temperature	$T_{STG}$	$^{\circ}C$		-55 ~ +150						

#### Electrical Characteristics (T=25 $^{\circ}C$ Unless otherwise specified)

Item	Symbol	Unit	Test Condition	FR						
				101G	102G	103G	104G	105G	106G	107G
Peak Forward Voltage	$V_{FM}$	V	$I_{FM}=1.0A$	1.3						
Peak Reverse Current	$I_{RRM2}$	$\mu A$	$V_{RM}=V_{RRM}$	$T_a=25^{\circ}C$						
	$I_{RRM1}$			$T_a=100^{\circ}C$						
Reverse Recovery time	$t_{rr}$	ns	$I_F=0.5A, I_R=1.0A, I_{rr}=0.25A$	150		250		500		
Typical junction capacitance	$C_J$	pF	Measured at 1MHz and applied reverse voltage of 4.0V D.C.	15						
Typical Thermal Resistance	$R_{\theta J-A}$	$^{\circ}C/W$	Between junction and ambient	50						
	$R_{\theta J-L}$		Between junction and lead	8						

#### Notes:

Thermal resistance from junction to ambient at 0.375"(9.5mm)lead length,P.C.B. mounted

**Typical Characteristics**

FIG.1: FORWARD CURRENT DERATING CURVE

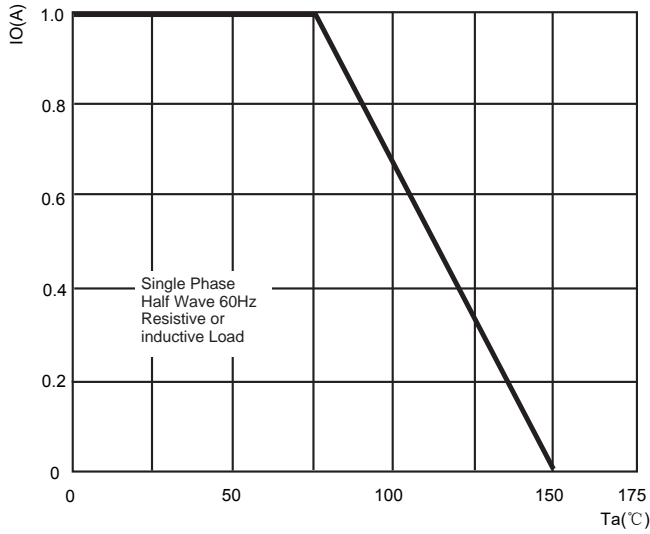


FIG.2: MAXIMUM NON-REPETITIVE FORWARD URGE CURRENT

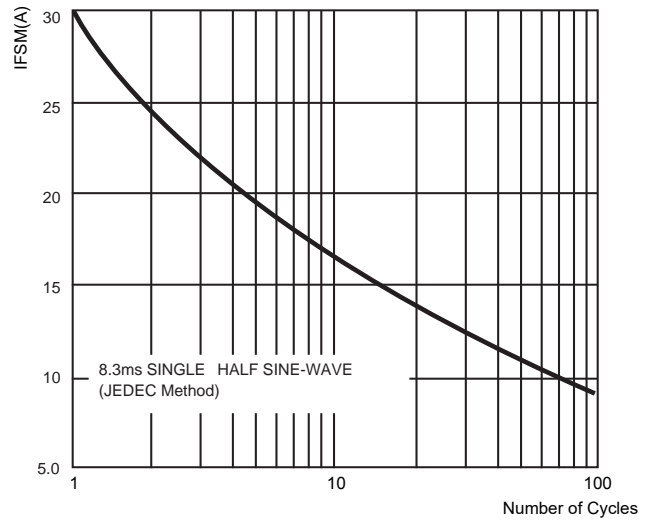


FIG.3: TYPICAL FORWARD CHARACTERISTICS

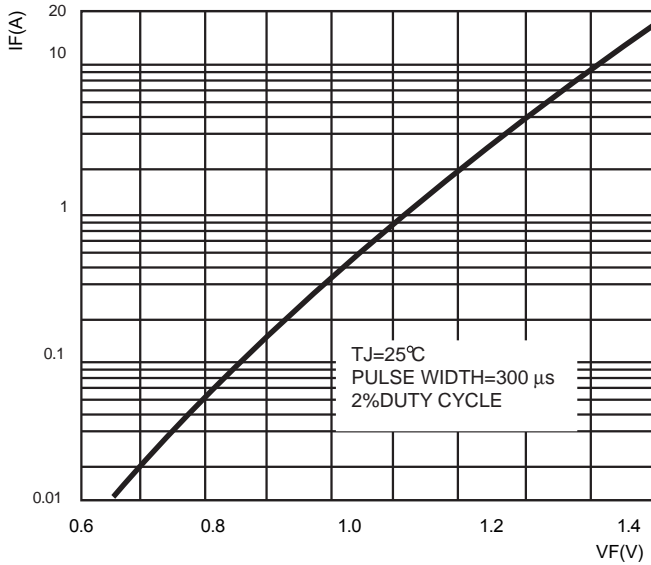


FIG.4: TYPICAL REVERSE CHARACTERISTICS

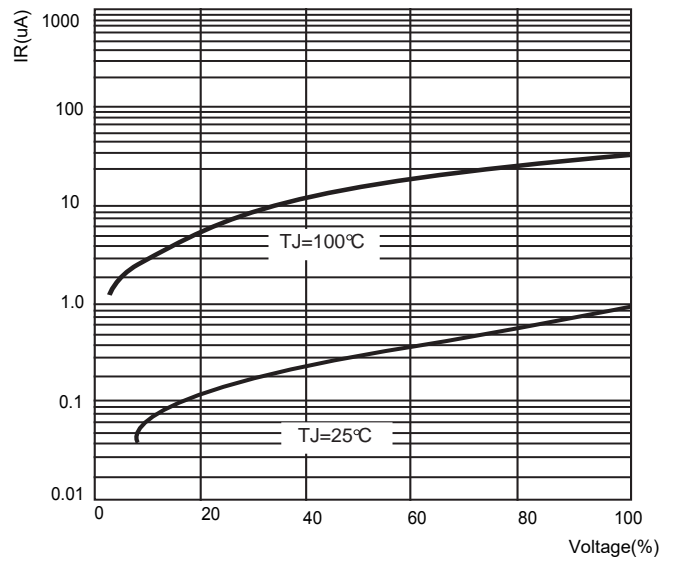
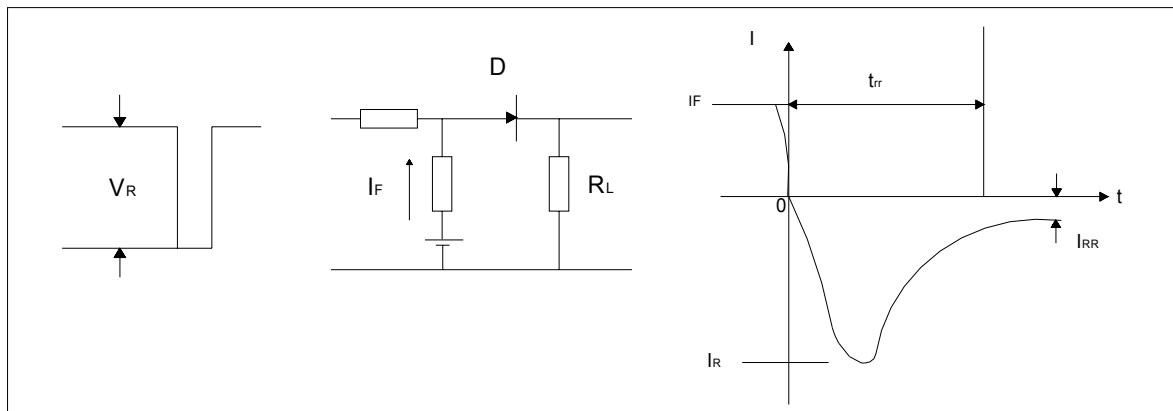
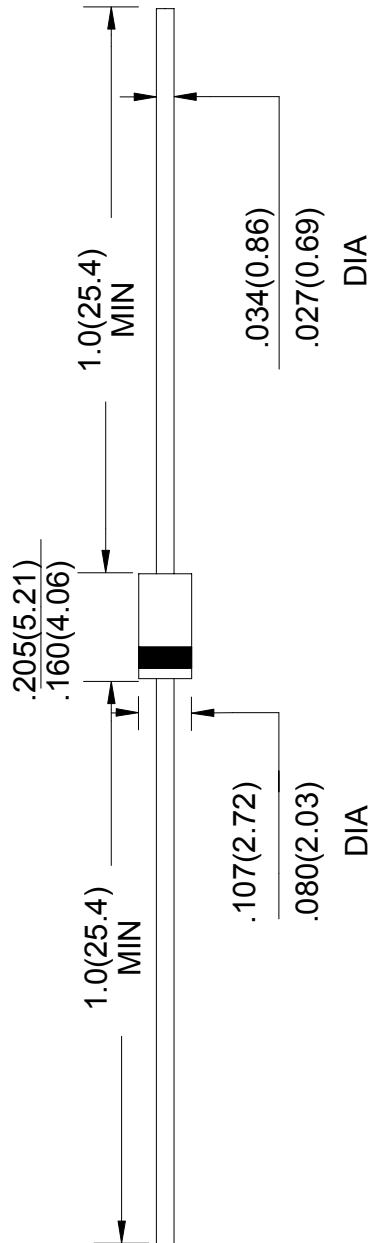


FIG.5: Diagram of circuit and Testing wave form of reverse recovery time



DO- 41 Package Outline Dimensions

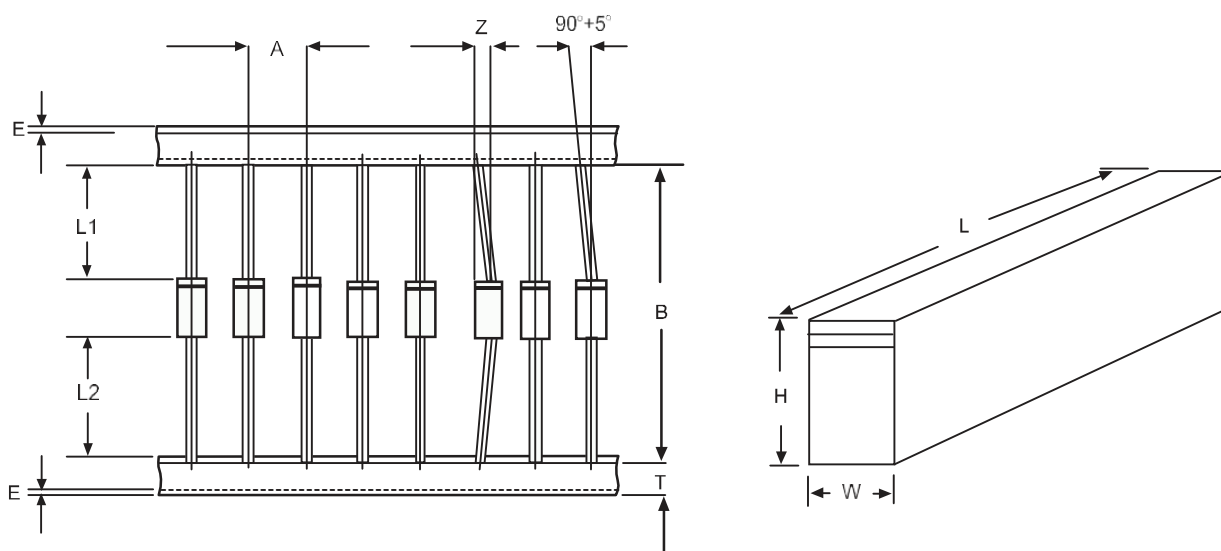


Unit: in inches (millimeters)

## Ammo Box Packaging Specifications For Axial Lead Rectifiers

Axial lead devices are packed in accordance with EIA standard RS-296-D and specifications given below

COMPONENT OUTLINE	COMPONENT PITCH A	INNER TAPE PITCH B	CUMULATIVE PITCH TOLERANCE
	$\pm 0.5\text{mm}(0.020'')$	$+0.5\text{mm}(0.020'')$	
R-1	5.0mm	26.0mm	2.0mm/20pitch
R-1	5.0mm	52.4mm	2.0mm/10pitch
A-405	5.0mm	26.0mm	2.0mm/20pitch
A-405	5.0mm	52.4mm	2.0mm/10pitch
DO-34/DO-35	5.0mm	26.0mm	2.0mm/20pitch
DO-34/DO-35	5.0mm	52.4mm	2.0mm/10pitch
DO-41	5.0mm	26.0mm	2.0mm/20pitch
DO-41	5.0mm	52.4mm	2.0mm/10pitch
DO-15	5.0mm	52.4mm	2.0mm/10pitch
DO-27	10.0mm	52.4mm	2.0mm/10pitch
R-6	10.0mm	52.4mm	2.0mm/10pitch



ITEM	SYMBOL	SPECIFICATIONS(mm)	SPECIFICATIONS(inch)
Component alignment	Z	1.2max	0.048max
Tape width	T	6.0±0.4	0.236±0.016
Exposed adhesive	E	0.8max	0.032max
Body eccentricity	IL1-L2I	1.0max	0.040max
Box length	L	255.0±5.0	10.04±0.197
Box width	W	78.0±5.0	3.07±0.197
Box height	H	150.0±5.0	5.91±0.197

NOTE: Each component lead shall be sandwiched between tapes for A minimum of 3.2mm(0.126'')