

TO-220F Plastic-Encapsulate Diode

HYPERFAST RECTIFIER,FRED

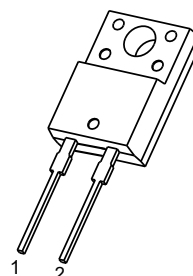
Features:

- Ultrafast Recovery Times and Low Recovery Loss
- Low Forward Voltage
- Low Reverse Leakage Current

Applications:

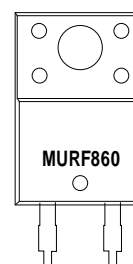
Specifically designed to improve efficiency of PFC and output rectification stages of EV / HEV battery charging stations, booster stage of solar inverters and UPS applications, these devices are perfectly matched to operate with MOSFETs or high speed IGBTs.

TO-220F



1. CATHODE
2. ANODE

MARKING



MAIN CHARACTERISTICS

I_o	8A
V_{RRM}	600V
T_{rr}	25ns
T_j	175°C
$V_{F(typ)}$	1.05V(@ $T_j=150^\circ\text{C}$)

MAXIMUM RATINGS ($T_c=25^\circ\text{C}$ unless otherwise noted)

Symbol	Parameter	MURF860	Unit
V_{RRM}	Peak Repetitive Reverse Voltage	600	V
V_R	DC Blocking Voltage		
$I_{F(AV)}$	Average Forward Current($T_c=120^\circ\text{C}$)	8	A
$I_{F(RMS)}$	RMS Forward Current($T_c=120^\circ\text{C}$)	11	A
I_{FSM}	Non-Repetitive Surge Forward Current (8.3ms)	136	A
P_D	Power dissipation	40	W
$R_{\theta JC}$	Thermal Resistance From Junction to Case	3.75	$^\circ\text{C}/\text{W}$
T_j	Operating Junction Temperature Range	-55 ~ +175	$^\circ\text{C}$
T_{stg}	Storage Temperature Range	-55 ~ +175	$^\circ\text{C}$

Typical Characteristics

ELECTRICAL CHARACTERISTICS ($T_c=25^\circ\text{C}$ unless otherwise specified)

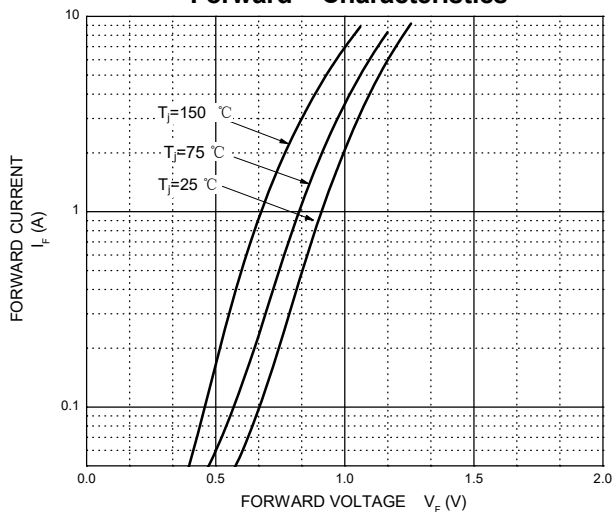
Symbol	Parameter	Test Conditions	Min.	Typ.	Max.	Unit
$V_{(BR)}$	Reverse Voltage	$I_R=100\mu\text{A}$	600			V
I_R	Reverse Current	$V_R=600\text{V}$	$T_j=25^\circ\text{C}$		10	μA
			$T_j=150^\circ\text{C}$		500	μA
V_F	Forward Voltage	$I_F=8\text{A}$	$T_j=25^\circ\text{C}$	1.20	1.3	V
			$T_j=150^\circ\text{C}$		1.05	V
C_{tot}	Total Capacitance	$V_R=200\text{V}, f=1\text{MHz}$		8		pF
t_{rr}	Reverse Recovery time	$I_F=0.5\text{A}, I_R=1\text{A}, I_{rr}=0.25\text{A}$		34		ns
		$I_F=1\text{A}, V_R=30\text{V}, di_F/dt=200\text{A}/\mu\text{s}$		25		ns

ELECTRICAL CHARACTERISTICS ($T_c=25^\circ\text{C}$ unless otherwise specified)

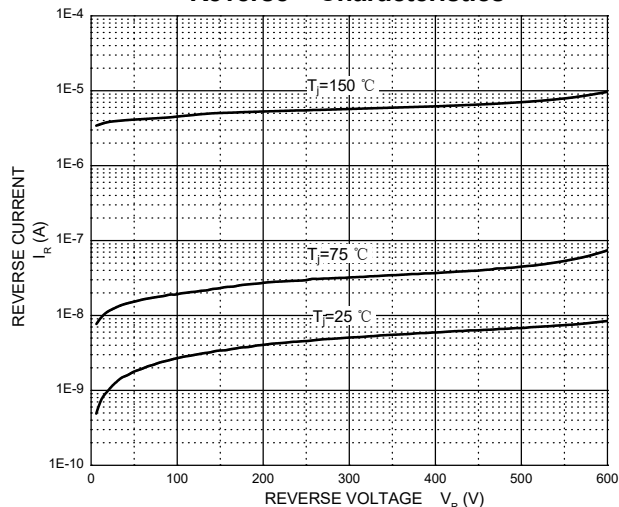
Symbol	Parameter	Test Conditions	Min.	Typ.	Max.	Unit
t_{rr}	Reverse Recovery Time	$I_F=8\text{A}, V_R=400\text{V}, di_F/dt=200\text{A}/\mu\text{s}$		68		ns
I_{RRM}	Max. Reverse Recovery Current			5		A
Q_{rr}	Reverse Recovery Charge			185		nC
t_{rr}	Reverse Recovery Time	$I_F=8\text{A}, V_R=400\text{V}, di_F/dt=200\text{A}/\mu\text{s}, T_j=125^\circ\text{C}$		97		ns
I_{RRM}	Max. Reverse Recovery Current			8		A
Q_{rr}	Reverse Recovery Charge			433		nC
t_{rr}	Reverse Recovery Time	$I_F=8\text{A}, V_R=400\text{V}, di_F/dt=500\text{A}/\mu\text{s}, T_j=125^\circ\text{C}$		74		ns
I_{RRM}	Max. Reverse Recovery Current			13		A
Q_{rr}	Reverse Recovery Charge			562		nC

Typical Characteristics

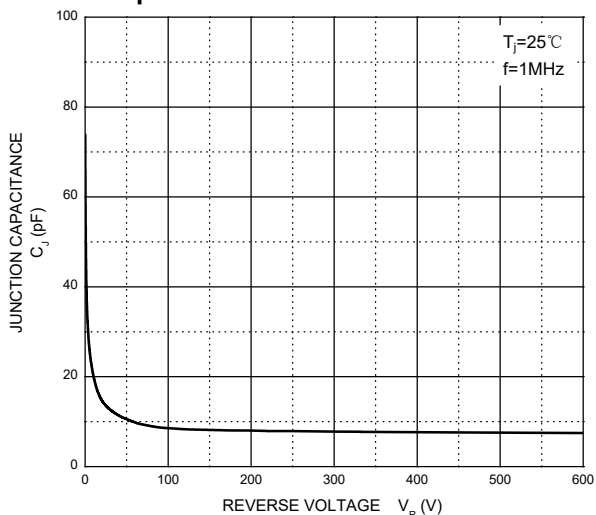
Forward Characteristics



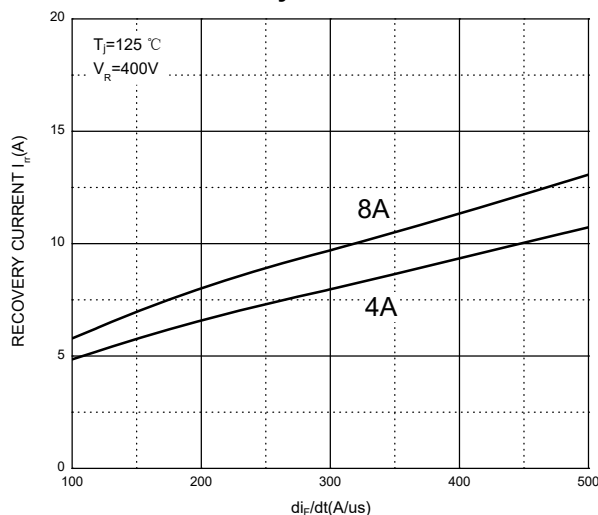
Reverse Characteristics



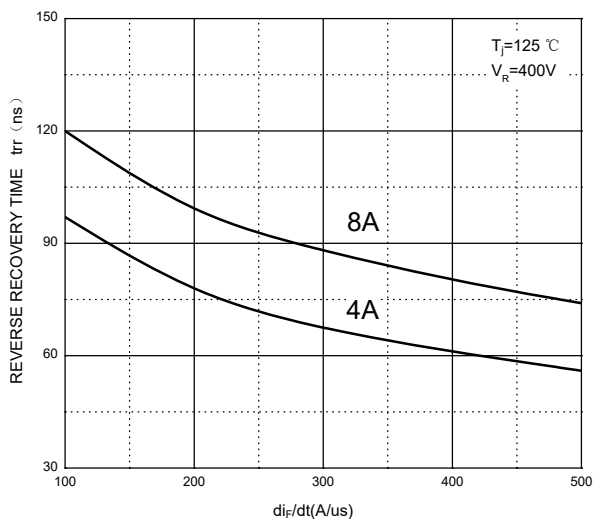
Capacitance Characteristics Per Diode



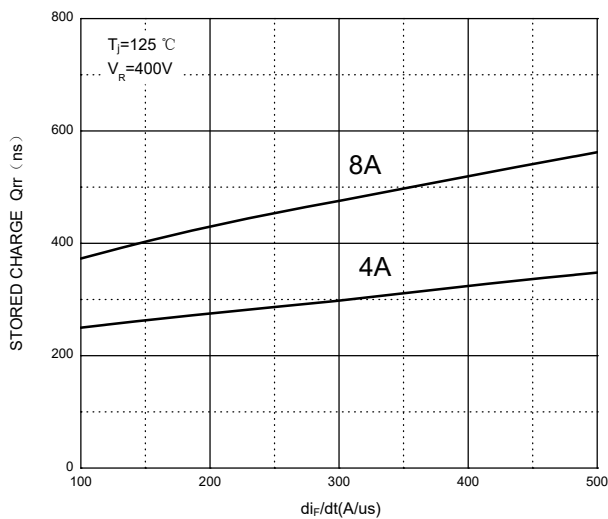
Recovery Current vs. di_F/dt



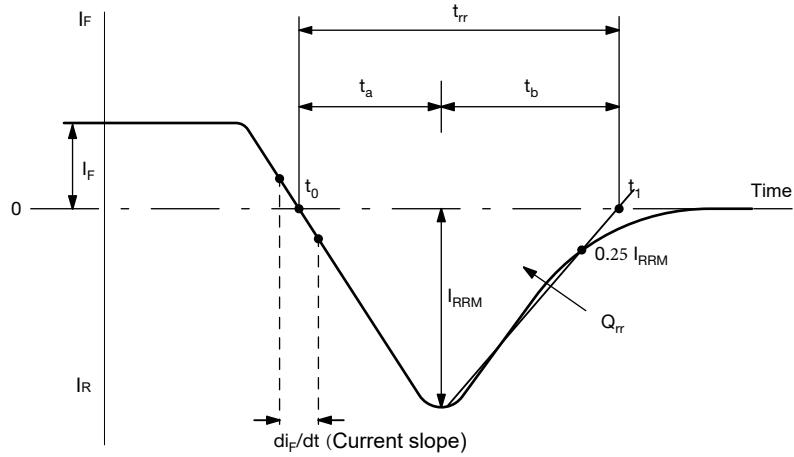
Reverse Recovery Time vs. di_F/dt



Stored Charge vs. di_F/dt

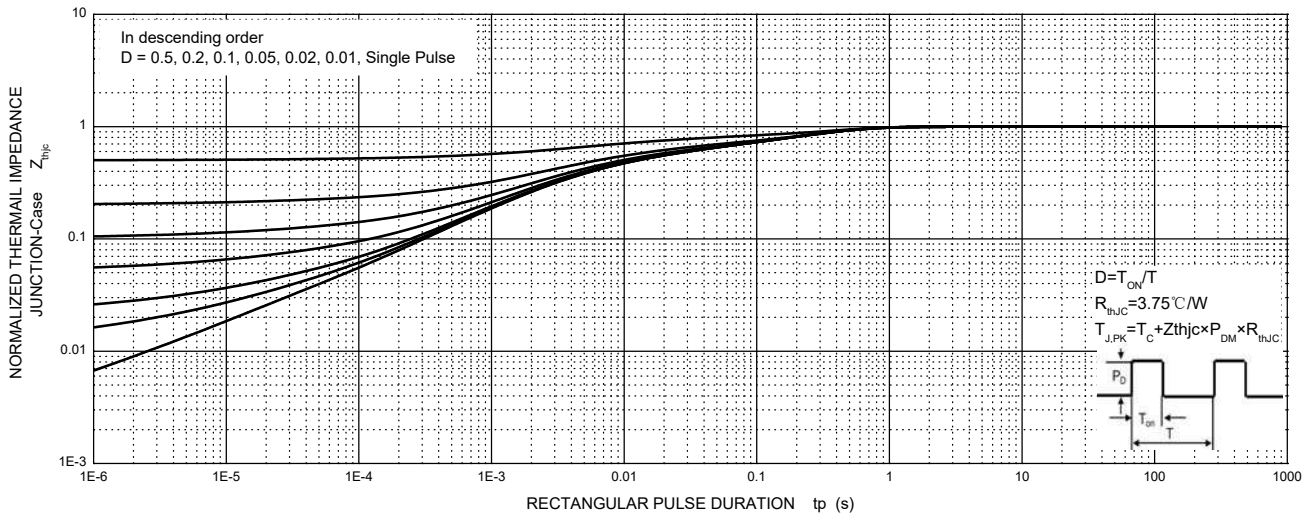


Typical Characteristics

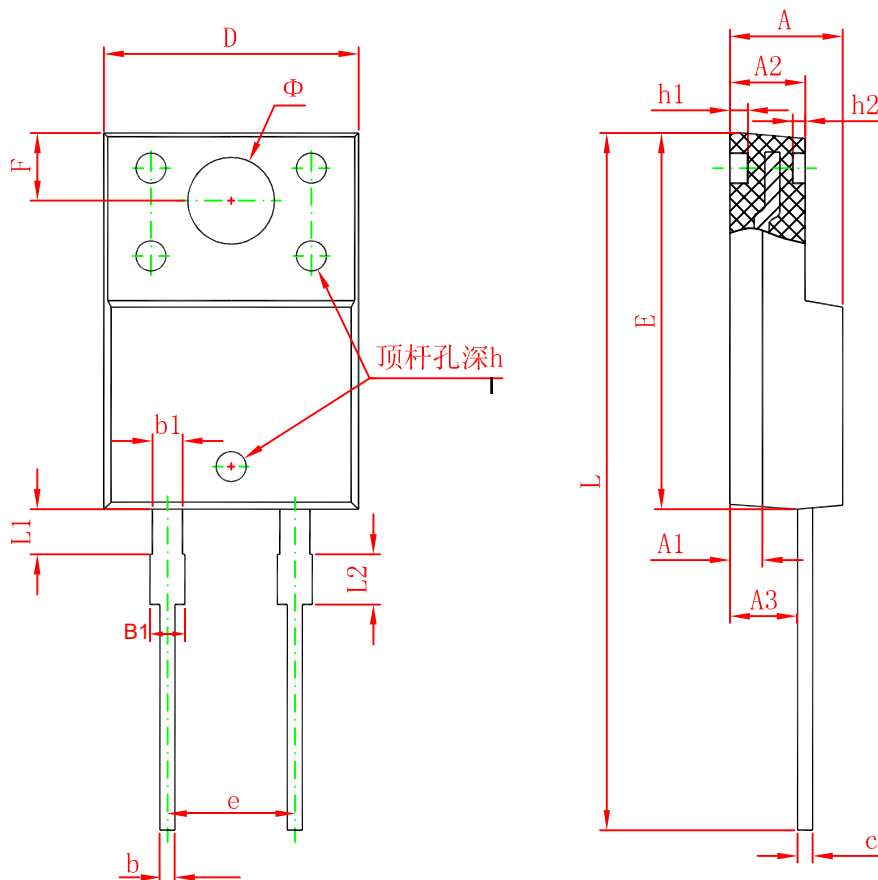


Reverse Recovery Waveform and Definitions

MURF8H60 Transient Thermal Impedance, Junction-Case



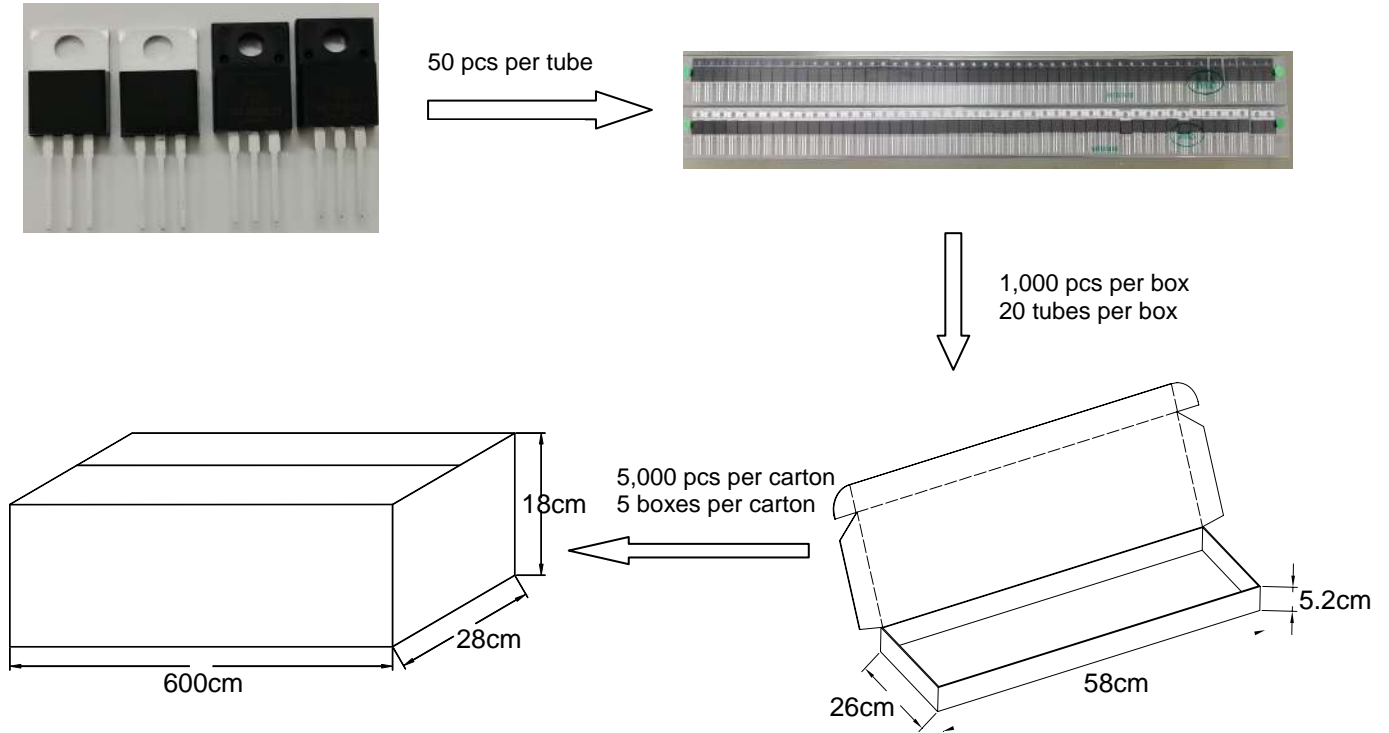
TO-220F Package Outline Dimensions



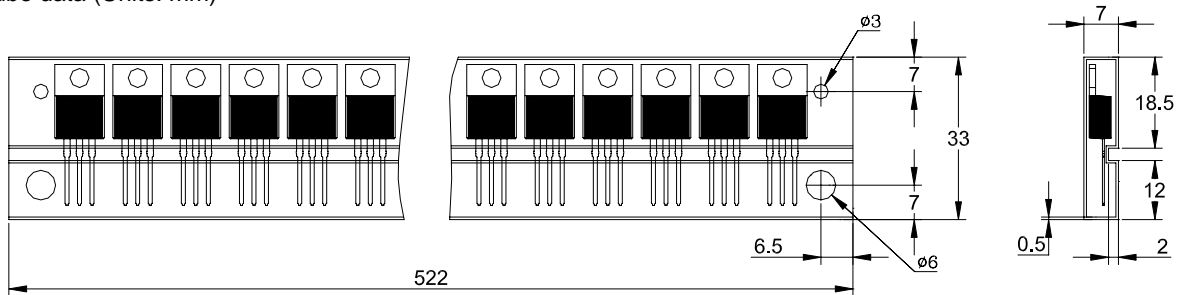
Symbol	Dimensions In Inches	
	Min.	Max.
A	4.300	4.700
A1	1.200 REF.	
A2	2.800	3.200
A3	2.500	2.900
b	0.710	0.910
b1	1.100	1.350
B1	1.150	1.400
c	0.500	0.750
D	9.960	10.360
E	14.800	15.200
e	5.080 TYP.	
F	2.700 REF.	
Φ	3.300 REF.	
h	0.000	0.300
h1	0.800 REF.	
h2	0.500 REF.	
L	28.000	28.400
L1	2.100	2.400
L2	1.300	1.700

Packaging Specifications of Tube Pack for TO-220AB and ITO-220AB

1. The method of packaging and dimension are shown as below figure. (Dimension in mm)



2. Tube data (Units: mm)



Storage

1 It is recommended to store the products in the following conditions:

Humidity: 75% R.H. Max.

Temperature : 0°C ~35°C (32°F ~95°F)

2 Shelf life : 12 month at < 0°C ~35°C (32°F ~95°F) and < 75% R.H.